

Patents, Designs, and Trade Marks

SUPPLEMENT

TO THE

NEW ZEALAND GAZETTE

OF

THURSDAY, JANUARY 14, 1909.

Published by Authority.

WELLINGTON, THURSDAY, JANUARY 14, 1909

CONTENTS.

	Page
Complete Specifications and Drawings open to Inspection	121
International and Intercolonial Arrangements for the Mutual Protection of Patents and Trade Marks ..	122
Patent Publications in New Zealand	122
Books and Documents open to Inspection at Patent Office, Wellington	122
Books, Documents, &c., open to Inspection at Local Patent Offices, Auckland, Christchurch, and Dunedin	123
Official Publications	123
Local Patent Offices	123
Name Index of Patents, 1861-1889	123
Classified Abridgments of New Zealand Inventions at Auckland, Christchurch, and Dunedin	123
Foreign Patent Laws	123
United States Specifications	123
List of Registered Patent Agents	124
Applications for Letters Patent filed	124
Complete Specifications filed after Provisionals ..	125
Complete Specifications accepted	125
Provisional Specifications accepted	130
Letters Patent sealed	130
Letters Patent on which Fees have been paid ..	131
Subsequent Proprietors of Letters Patent registered ..	131
Applications for Letters Patent abandoned	131
Applications for Letters Patent void	131
Applications for Letters Patent lapsed	131
Letters Patent void	131
Designs registered	132
Applications for Trade Marks filed	132
Applications for Registration of Trade Marks ..	132
Trade Marks registered	135
Subsequent Proprietor of Trade Mark registered ..	135
Applications for Trade Marks abandoned or refused ..	135
Trade Mark Renewal Fees paid	135
Trade Marks removed from the Register	135

Complete Specifications and Drawings open to Inspection at Auckland, Dunedin, and Christchurch.

COPIES of the complete specifications and drawings advertised in the *Gazette* will be sent for public inspection to the

LOCAL PATENT OFFICES

IN THE

SUPREME COURT BUILDINGS

in the following towns on or about the dates mentioned:—

Auckland.

Gazette No. 105, of the 23rd December. 6th January to 20th January, inclusive.

Dunedin.

Gazette No. 105, of the 23rd December. 27th January to 10th February, inclusive.

Gazette No. 100, of the 10th December. 8th January to 23rd January, inclusive.

Gazette No. 94, of the 26th November. 23rd December to 6th January, inclusive.

Christchurch.

Gazette No. 105, of the 23rd December. 15th, February to 1st March, inclusive.

Gazette No. 100, of the 10th December. 28th January to 11th February, inclusive.

Gazette No. 94, of the 26th November. 11th January to 25th January, inclusive.

Gazette No. 91, of the 12th November. 30th December to 13th January, inclusive.

[NOTE.—The office can take no responsibility if from any cause the specifications are not so available.]

International and Intercolonial Arrangements for the Mutual Protection of Patents and Trade Marks.

INTERNATIONAL CONVENTION.

THE following countries now belong to the Convention :—

Australia.	Italy.
Belgium.	Japan.
Brazil.	Mexico.
Ceylon.	New Zealand.
Cuba.	Norway.
Denmark and Faroe Islands.	Portugal, with the Azores and
Dominican Republic.	Madeira.
France, with Algeria and	Servia.
Colonies.	Spain.
Germany.	Sweden.
Great Britain.	Switzerland.
Holland, with East Indian	Tunis.
Colonies, Curaçoa, and	United States of America.
Surinam.*	

* Trade marks only.

Separate arrangements have been made between Australia and New Zealand.

Particulars of the Convention and of such arrangements may be seen in the following *Gazettes* :—

Notification of adhesion of New Zealand to the Convention, with text thereof (in English), in the *Gazette* of 26th November, 1891; notification of adherence of New Zealand to the Additional Act of the Convention, with text (in English), of such Additional Act, in Patents Supplement to *Gazette* No. 101, of the 16th November, 1905; Order in Council applying section 103 of the Imperial Act to New Zealand, in *Gazette* No. 27, of the 15th May, 1890; Orders in Council containing arrangements between Australia and New Zealand, in Patent Supplements to the *Gazette* Nos. 22 of the 9th March, 1905, and 38 of the 20th April, 1905.

Patent Publications in New Zealand.

THE following publications relating to Patents for inventions, &c., are open to inspection in the Dominion :—

WELLINGTON.—PATENT OFFICE LIBRARY.

United Kingdom.

The full text of the specifications and complete drawings of inventions patented from the year 1617 up to the 3rd September, 1908.

Classified illustrated abridgments of inventions from 1855 to 1905 and part of 1906.

Illustrated Official Journal, containing lists of recent applications, abridgments of inventions for which patents have been lately granted, patents void, &c., to December, 1908.

Index of Applicants.
Subject-matter Index.
Commissioner of Patents Journal, &c.^(a).
Trade Marks Journal to May, 1908.

Canada.

Patent Office Record (containing illustrated abridgments of inventions, &c.) to August, 1908.

Australia.

The full text of the specifications and complete drawings in respect of applications accepted from the 11th January, 1906, to the 5th May, 1908, inclusive.

The Official Journal of Patents of the Australian Commonwealth (containing lists of applications for letters patent, abridgments of complete specifications accepted, &c.).

The Australian Official Journal of Trade Marks (containing lists of applications for registration of trade marks, &c.).

Specifications, drawings, abridgments, and indexes of Victoria, New South Wales, Queensland, and South Australia^(b).

United States.

The full text of the specifications and drawings for the years 1905 and 1906.

The Official Gazette of the United States Patent Office (containing illustrated abridgments of specifications, &c.) to October, 1908.

Mexico.

The Official Gazette of the Patent and Trade Mark Office.

(a) Discontinued.

(b) In arrear. Not now being printed.

General.

La Propriété Industrielle (the official organ of the International Bureau of the Union for the Protection of Industrial Property).

Patent laws of the world.

Patent and Trade Mark Review.

Text-books and handbooks on patents and trade marks.

AUCKLAND.—PUBLIC LIBRARY.

United Kingdom.

Classified abridgments of inventions from 1855 to 1904.
Illustrated Official Journal from 1897 to date.

Canada.

Patent Office Record (containing illustrated abridgments of inventions, &c.) from 1897 to date.

Australia.

The Official Journal of Patents from 1905 to date.

United States.

The Official Gazette of the United States Patent Office (containing illustrated abridgments of specifications, &c.) from 1885 to 1887 and 1890 to 1895.

CHRISTCHURCH.—PUBLIC LIBRARY.

United Kingdom.

Classified abridgments of inventions from 1855 to 1904.
Illustrated Official Journal from October, 1905, to date.

Canada.

Patent Office Record (containing illustrated abridgments of inventions, &c.) from 1897 to date.

Australia.

The Official Journal of Patents from 1905 to date.

DUNEDIN.—TOWN HALL.

United Kingdom.

Classified abridgments of inventions from 1855 to 1904.
Illustrated Official Journal from October, 1905, to date.

Australia.

The Official Journal of Patents from 1905 to date.

Books and Documents open to Inspection at Patent Office, Wellington.

THE following documents and books are open to public inspection at the Patent Office :—

PATENTS.

(Fee for each search or inspection, not exceeding one hour, 1s.)

1. The files relating to all applications for letters patent in respect of which complete specifications have been accepted.
2. Classified copies of specifications and drawings, with index and key^(a).
3. Register of Applications for Letters Patent.
4. Register of Patents.
5. Register of Subsequent Proprietors of Letters Patent^(b).
6. Index of Patentees^(c).
7. Index of Proprietors of Letters Patent granted prior to 1890^(d).
8. Index of Specifications^(e).

DESIGNS.

(Search fee, 1s. each quarter of an hour.)

1. Register of Designs, with Index of Names of Proprietors.
2. Classified Representations of Designs in respect of which Copyright has expired.
3. Index of Designs.

(a) Key is in card index.

(b) This Register contains only names of subsequent proprietors of letters patent granted prior to 1st January, 1890; since that date they appear in Register of Patents.

(c) Includes all names of applicants, &c., and consists of four volumes to 4th November, 1903, and card index since that date. A separate card index is kept for current quarter.

(d) The names of proprietors of subsequent letters patent appear in the Index of Patentees.

(e) Contains classified abridgments of specifications from 1861, with extracts from drawings from July, 1904.

TRADE MARKS.

(Search fee, 1s. each quarter of an hour.)

1. The files relating to all applications for registration of trade marks.
2. Register of Applications for Registration of Trade Marks.
3. Register of Trade Marks.
4. Index of Applicants for Registration of Trade Marks^(a).
5. Index of Trade Marks.
6. Classified Representations of Trade Marks, with indexes.

MISCELLANEOUS.

Register of Patent Agents.

FORMS AND PUBLICATIONS.

The following forms, &c., may be had on application at the Patent Office, Wellington, or at any of the local Patent Offices named below:—

- Application for letters patent.
- Provisional specification.
- Complete specification and copy thereof.
- Application for registration of design.
- Application for registration of trade mark.
- Applications for extension of time.
- Requests by subsequent proprietor to enter name on Register of Patents and Trade Marks.
- Printed sheets of information as to fees and procedure to obtain letters patent and to register a trade mark^(b).
- Pamphlet containing Act and Regulations (price 1s.).

^(a) Names of applicants for registration and proprietors of trade marks are indexed at the beginning of the Registers up to 31st December, 1889; in separate volume up to 6th September, 1904; and since the latter date in card index.

^(b) May also be obtained at any local Patent Office or money-order office.

Books, Documents, &c., open to Inspection at Local Patent Offices, Auckland, Christchurch, and Dunedin.

BOOKS, documents, &c., open to inspection, and forms, &c., procurable, at the local Patent Offices at Auckland, Christchurch, and Dunedin.

BOOKS, ETC., OPEN TO INSPECTION.

Complete specifications and drawings of inventions. (Note.—One set of the specifications and drawings is sent, on acceptance, to Auckland, Christchurch, and Dunedin in succession, remaining fourteen days at each place, as advertised in the *Gazette*. Search fee, 1s. per hour.)

Classified abridgments of inventions from 1st January to 30th September, 1908. (Search fee, 1s.)

Weekly lists of applications for patents up to and including those filed on Friday may be seen on the following Monday. (Search fee, 1s.)

Name Index—Patents, 1861 to 1889. (Search fee, 1s.)

Name Index—Patents for current quarter (card index). (Search fee, 1s.)

Subject-matter Index—Patents for current quarter (card index). (Search fee, 1s.)

Annual Reports, containing alphabetical lists of applicants and subject-matter indexes since 1890.

Patents Supplement to the *New Zealand Gazette*.

Patents, Designs, and Trade Marks Act and Rules.

Acts and Rules of other countries.

Australian Official Journal of Patents.

FORMS, ETC., OBTAINABLE.

The following forms, &c., may be obtained on application:—

- Applications for letters patent.
- Provisional specification.
- Complete specification, and copy thereof.
- Application for registration of design.
- Application for registration of trade mark.
- Applications for extension of time.
- Requests by subsequent proprietor to enter name on Register of Patents and Trade Marks.
- Printed sheets of information as to fees and procedure to obtain letters patent and to register designs and trade marks.
- Pamphlet containing Act and Regulations. (Price, 1s.)

NOTE.—The classified abridgments of the specifications and drawings of the United Kingdom may be seen in the Public Library. Other publications will be placed on file as soon as they are available.

Official Publications.

THE following publications may be obtained from the Government Printer, Wellington:—

Printed specifications to the end of the year 1879. Annual lists of letters patent and letters of registration applied for, and particulars of applications lapsed, and patents lapsed, from 1880 to 1893 inclusive. (The lists for the last four of these years are contained in the *Annual Reports of the Registrar*.)

Annual reports of the Registrar, containing alphabetical indexes of applicants for letters patent and of subject-matter of inventions patented from 1894 to 1906 inclusive.

The Patents Supplement to *Gazette* (containing notifications, applications for letters patent, abridged descriptions and drawings of inventions, &c.), published fortnightly.

Local Patent Offices.

LOCAL Patent Offices for the reception of applications, supply of forms, &c., have been established at the following places:—

- Auckland—Supreme Court. (E. W. Cave, agent.)
- Whangarei—Courthouse. (W. J. Reeve, agent.)
- Thames—Courthouse. (J. Jordan, agent.)
- Waihi—Courthouse. (J. McIndoe, agent.)
- Hamilton—Courthouse. (H. J. Dixon, agent.)
- Gisborne—Courthouse. (G. J. A. Johnstone, agent.)
- New Plymouth—Courthouse. (J. Terry, agent.)
- Napier—Courthouse. (A. Trimble, agent.)
- Wanganui—Courthouse. (C. A. Barton, agent.)
- Taihape—Courthouse. (W. Baker, agent.)
- Palmerston North—Courthouse. (C. J. Hewlett, agent.)
- Masterton—Courthouse. (M. Foley, agent.)
- Nelson—Courthouse. (E. C. Kelling, agent.)
- Blenheim—Courthouse. (F. W. Hart, agent.)
- Westport—Courthouse. (O. E. Bowling, agent.)
- Greymouth—Courthouse. (B. Harper, agent.)
- Hokitika—Courthouse. (J. N. Nalder, agent.)
- Christchurch—Supreme Court. (W. W. Samson, agent.)
- Ashburton—Courthouse. (J. Fitzgerald, agent.)
- Timaru—Courthouse. (T. W. Tayler, agent.)
- Oamaru—Courthouse. (A. A. Mair, agent.)
- Dunedin—Supreme Court. (T. E. Roberts, agent.)
- Clyde—Courthouse. (F. T. D. Jeffery, agent.)
- Gore—Courthouse. (G. H. Lang, agent.)
- Queenstown—Courthouse. (A. J. Thompson, agent.)
- Invercargill—Courthouse. (J. R. Colyer, agent.)

Name Index.—Patents.

Vol. I, 1861 to 1889.

MAY be obtained from the GOVERNMENT PRINTER.

PRICE, 2s. 6d.

Classified Abridgments of New Zealand Inventions open to inspection at Auckland, Christchurch, and Dunedin.

CLASSIFIED abridgments of complete specifications gazetted from the 1st January to the 30th September, 1908, are open to public inspection at the local Patent Offices at Auckland, Christchurch, and Dunedin.

Foreign Patent Laws.

COPIES of amended patent laws of the following countries have come to hand, and may be inspected at the Patent Office, Wellington: United States, Great Britain, Denmark.

United States Specifications.

THE United States specifications for the year 1906 have been placed on the shelves of the library for public inspection.

List of Registered Patent Agents.

THE following is a list of the Patent Agents at present on the Register:—

Armstrong, N. G., Solicitor, Wanganui.
 Atkinson, H. T., Solicitor, Hawera.
 Atkinson, S. A., Solicitor, Featherston Street, Wellington.
 Baldwin, E. S., Lambton Quay, Wellington.
 Barnett, A. H., Solicitor, Lambton Quay, Wellington.
 Basley, G. W., Solicitor, Swanson Street, Auckland.
 Basley, P. H., Solicitor, Queen Street, Auckland.
 Bell, E. D., Solicitor, Panama Street, Wellington.
 Bolton, F. G., Solicitor, Featherston Street, Wellington.
 Buddle, C. F., Solicitor, Wyncham Street, Auckland.
 Campbell, J. P., Solicitor, Featherston Street, Wellington.
 Churchward, W. T., Solicitor, Blenheim.
 Clement, J. R., Solicitor, Waimate.
 Climie, P. R., Hereford Street, Christchurch.
 Coates, C. C., Engineer, Winchester Street, Lyttelton.
 Cottrell, A. C., Solicitor, Westport.
 Dalton, W. J., Queen Street, Auckland.
 Featon, E. H., Gisborne.
 Gillanders, L. R., Ravensbourne, Dunedin.
 Gray, A., Solicitor, Lambton Quay, Wellington.
 Hadfield, E. F., Solicitor, Featherston Street, Wellington.
 Hall, H., Solicitor, Panama Street, Wellington.
 Hamerton, R. C., Solicitor, Lambton Quay, Wellington.
 Haselden, H. C., Queen Street, Auckland.
 Hawkins, G. F., Solicitor, Palmerston North.
 Holdsworth, F., Solicitor, Lambton Quay, Wellington.
 Hughes, W. E., Queen's Chambers, Wellington.
 Hunter, J. T., Queen's Chambers, Wellington.
 Izard, C. H., Solicitor, Featherston Street, Wellington.
 Knight (L.L.D.), C. P., Solicitor, Panama Street, Wellington.
 Lillierap, J. F., Solicitor, Bowmont Street, Invercargill.
 Longuet, C. S., Solicitor, Esk Street, Invercargill.
 Luckie, M. M. F., Solicitor, Featherston Street, Wellington.
 Martin, T. F., Solicitor, Featherston Street, Wellington.
 McKnight, H., Solicitor Auckland.
 Moore, J. H., Solicitor, care of Smithson and Raymond, Timaru.
 Murdoch, J. H. G., Solicitor, Hastings, Hawke's Bay.
 Myers, M., Solicitor, Panama Street, Wellington.
 Neumegen, W. M., Solicitor, Shortland Street, Auckland.
 Newton, P. M., Hereford Street, Christchurch.
 Nielsen, C. W., Solicitor, Featherston Street, Wellington.
 Organ, W. J., Solicitor, Featherston Street, Wellington.
 Park, A. J., Solicitor, Princes Street, Dunedin.
 Park, J. R., Princes Street, Dunedin.
 Peacock, J. C., Solicitor, Wellington.
 Pinches, W., Architect, Wanganui.
 Porritt, E. W., Solicitor, Paeroa, Thames.
 Pownall, C. A., Solicitor, Masterton.
 Quick, W. H., Solicitor, Featherston Street, Wellington.
 Rayward, H. H., Lambton Quay, Wellington.
 Reed, V. H., Solicitor, Kawakawa, Bay of Islands.
 Reid, jun., D., Solicitor, Ross Street, Dunedin.
 Rhodes, F., Solicitor, Tennyson Street, Napier.
 Richmond, H. P., Solicitor, Lambton Quay, Wellington.
 Richmond, M. W., Solicitor, Wellington.
 Robinson, W. I., Epsom and Mount Albert Road, Mount Roskill, Auckland.
 Somerville, W. G., Solicitor, Willis Street, Wellington.
 Thompson, J., Solicitor, Featherston Street, Wellington.
 Tolhurst, R. M., Solicitor, Featherston Street, Wellington.
 Treadwell, C. H., Solicitor, Panama Street, Wellington.
 Tripp, L. O. H., Solicitor, Brandon Street, Wellington.
 Upham, J. H., Solicitor, Christchurch.
 Vaile, P. A., Solicitor, Queen Street, Auckland.
 Wales, R., Engineer, Imperial Buildings, Dunedin.
 Wilson, J. E., Solicitor, New Plymouth.
 Wynyard, M. H., Solicitor, Queen Street, Auckland.
 Young, T., Solicitor, Featherston Street, Wellington.

Applications for Letters Patent filed.

LIST of applications for Letters Patent filed. (Where a complete specification accompanies an application an asterisk is affixed; in all other cases a provisional specification has been lodged. In all cases where the applicant is not the inventor the name of the latter appears in italics after the title.)

No. 25368.—21st December.—The Monotype Machine (Colonial Patents) Syndicate, Limited, London, England.
 Multiplex composing-machine.* (*W. Bancroft.*)

No. 25369.—21st December.—G. A. Bennett, Goodmayes, and J. A. Smith, Leytonstone, England.
 Pneumatic tire.*
 No. 25370.—18th December.—A. T. W. Allan, Henderson, and A. R. Rann, Auckland, N.Z.
 Roller mill for tailings, &c.
 No. 25371.—21st December.—J. P. H. Lund, Rockhampton, Q.
 Ship's rudder.*
 No. 25372.—22nd December.—T. Hawkins, London, Eng.
 Slop-pail, &c.*
 No. 25373.—23rd December.—Maxim Silent Fire-arms Company, Jersey City, U.S.A.
 Gun-discharge silencer.* (*H. P. Maxim.*)
 No. 25374.—23rd December.—A. Thomas, Detroit, U.S.A.
 Reinforced concrete.*
 No. 25375.—23rd December.—G. T., T. M., and J. K. Muir, jun., Melbourne, Vic.
 Bedstead-frame cramp.* (*J. D. Muir.*)
 No. 25376.—23rd December.—C. M. Cruickshank and G. Hadlee, Timaru, N.Z.
 Bathroom, &c., steam-preventer.*
 No. 25377.—21st December.—A. Cannell, Auckland, N.Z.
 Revolving show-stand.
 No. 25378.—23rd December.—G. T., T. M., and J. K. Muir, jun., Melbourne, Vic.
 Bedstead-fastening device.* (*J. D. Muir.*)
 No. 25379.—23rd December.—W. F. Dugins, Kew, Vic.
 Fastener for boots, &c.
 No. 25380.—24th December.—R. F. Lean, Lithgow, N.S.W.
 Lubricant.*
 No. 25381.—24th December.—F. E. Darling, Melbourne, Vic.
 Silver-coating fluid.
 No. 25382.—24th December.—S. Ewing, Burwood, N.S.W.
 Fire-extinguisher.*
 No. 25383.—24th December.—S. F. Haughey, Cheviot, N.Z.
 Inflating pneumatic tires of vehicles.
 No. 25384.—24th December.—F. H. Trevellian, Wellington, N.Z.
 Machine for ruling and preparing paper ribbons.
 No. 25385.—24th December.—H. F. Cameron, Waikino, N.Z.
 Water-closet pan.
 No. 25386.—24th December.—H. A. Nicholson, Otautau, N.Z.
 Beating-bar.*
 No. 25387.—24th December.—H. A. Nicholson, Otautau, N.Z.
 Flax-stripper.*
 No. 25388.—24th December.—F. O. Von Rome and G. Hutchinson, Christchurch, N.Z.
 Meat-safe.
 No. 25389.—29th December.—H. T. Fletcher, Auckland, N.Z.
 Rotary canvas bundle.
 No. 25390.—29th December.—Nightingall Gas Control Company Limited, Melbourne, Vic.
 Gas lighter and extinguisher.* (*V. C. J. Nightingall.*)
 No. 25391.—29th December.—A. Walker and M. W. Marriage, Dunedin, N.Z.
 Removing sand from castings.
 No. 25392.—23rd December.—F. Stubbs, Auckland, N.Z.
 Hot-water circulating system.
 No. 25393.—29th December.—W. J. McDonald, Kaupokonui, N.Z., and J. Hopkirk, Hawera, N.Z.
 Milk-agitating apparatus.
 No. 25394.—29th December.—J. M. Madden, Lower Riccarton, N.Z.
 Motive-power transmitter.
 No. 25395.—29th December.—W. Seifert, Palmerston North, N.Z.
 Flax-treatment.
 No. 25396.—30th December.—J. W. Stamp and W. J. Powell, Melbourne, Vic.
 Offal-treatment.*
 No. 25397.—30th December.—De Dion Bouton (1907), Limited, London, Eng.
 Pressure bearing for bevel gears.* (*A. De Dion and G. Buteaux.*)
 No. 25398.—31st December.—Patent Hydrocarbon, Limited, London, Eng.
 Hydrocarbon oil treatment.* (*J. Noad.*)
 No. 25399.—30th December.—J. Fischer, Moonee Ponds, Vic.
 Bale-fastener.*
 No. 25400.—30th December.—H. Bruce, Whatawata, N.Z.
 Portable drill.

- No. 25401.—30th December.—J. J. Loke, Scheveningen, Holland.
Tile, &c., manufacturer. (Date applied for under section 106, 29th October, 1908.)
- No. 25402.—30th December.—C. A. Parsons, Newcastle-on-Tyne, Eng.
Turbine.*
- No. 25403.—4th January.—A. E. Peppercorn, Christchurch, N.Z.
Preventing steam and water escaping through gauge-glass when such becomes broken.
- No. 25404.—31st December.—H. E. Thew, Rangitata, N.Z.
Tine-harrow attachment.
- No. 25405.—6th January.—W. H. Caldwell, Mallaig, Scot.
Sensitised photographic film.* (Date applied for under section 106, 24th January, 1908.)
- No. 25406.—6th January.—W. H. Bird, London, Eng.
Pneumatic tire.* (Date applied for under section 106, 30th January, 1908.)
- No. 25407.—6th January.—J. Hutchings, London, Eng.
Internal-combustion motor-engine, turbine, &c.*
- No. 25408.—6th January.—J. Hutchings, London, Eng.
Supplying combustible fluid under pressure.*
- No. 25409.—6th January.—British Fixator, Limited, London, Eng.
Preventing accidental movement of rotating parts.* (*L. B. de Laitte, and H. M. Carter.*)
- No. 25410.—6th January.—G. W. Otterson, Wellington, N.Z.
Boot-heel.
- No. 25411.—6th January.—V. R. Blair, Wellington, N.Z.
Acetylene-gas generator.
- No. 25412.—7th January.—United Shoe Machinery Company, Paterson, U.S.A.
Fastenings-inserting machine. (*L. A. Casgrain*)
- No. 25413.—7th January.—United Shoe Machinery Company, Paterson, U.S.A.
Sole moulding, &c., machine. (*A. A. Ball.*)
- No. 25414.—7th January.—United Shoe Machinery Company, Paterson, U.S.A.
Pressure-applying machine. (*E. N. Preble.*)
- No. 25415.—7th January.—United Shoe Machinery Company, Paterson, U.S.A.
Lasting, &c., machine.* (*W. O. Wheeler, E. E. Winkley, and J. C. Smith.*)
- No. 25416.—7th January.—United Shoe Machinery Company, Paterson, U.S.A.
Boot and shoe machine. (*K. Engel and L. M. Brown.*)
- No. 25417.—7th January.—United Shoe Machinery Company, Paterson, U.S.A.
Boot-sole trimming, &c., machine. (*W. G. Eaton.*)
- No. 25418.—7th January.—E. N. Waters, Melbourne, Vic.
Phonograph and record. (*New Jersey Patent Company, T. A. Edison, H. T. Oliver, and P. Weber.*)
- No. 25419.—7th January.—T. H. Gillman and L. G. Grace, Hawera, N.Z.
Hydraulic vacuum pulsator.
- No. 25420.—4th January.—F. F. Porter, Oratia, N.Z.
Breaking-down, &c., machine.
- No. 25421.—8th January.—F. T. A. Jackson, Chatswood, N.S.W.
Shirt-collar.* (Date applied for under section 106, 9th January, 1908.)
- No. 25422.—8th January.—F. C. Lippiatt, Otahuhu, N.Z.
Swingle-bar connection.
- No. 25423.—6th January.—C. H. Mills, Patutahi, N.Z.
Wire-strainer.
- No. 25424.—5th January.—G. W. Penney, Gore, N.Z.
Wire-tightener.*
- No. 25425.—5th January.—A. L. J. Tait, Dunedin, N.Z.
Flax-dressing machine.
- No. 25426.—6th January.—R. M. Smith, Coal Creek Flat, N.Z.
Resilient wheel.*
- No. 25427.—9th January.—F. H. Crittall, Braintree, Eng.
Manufacture of expanded metal.* (Date applied for under section 106, 16th January, 1908.)
- No. 25428.—9th January.—The Imperial Writing Machine Company, Limited, Montreal, Canada.
Typewriter.* (*C. W. Davis and G. W. Davis.*)

No. 25429.—8th January.—G. W. Penney, Gore, N.Z.
Broom handle and socket.

No. 25430.—9th January.—A. S. Duncan, Christchurch, N.Z.
Loading and transporting device for disc harrows.

Complete Specifications filed after Provisionals.

LIST of complete specifications filed after provisional specifications, from the 22nd December, 1908, to the 11th January, 1909, inclusive:—

- No. 24120.—J. M. Landon, talking-machine.
No. 24150.—M. Trenwith and H. H. Smith, eyelet-punch.
No. 24155.—J. A. Berg, gig spring and frame.
No. 24163.—C. H. Matthews, billiard-table.
No. 24165.—J. M. Dowd, plough-draught.
No. 24190.—J. E. L. Cull, electric smelting-furnace.
No. 24201.—O. C. C. Chapman, water-tap.
No. 24208.—A. G. R. Williams, gas-manufacture.
No. 24219.—A. H. Schmidt, wire fabric for spring beds.
No. 24250.—P. A. and G. N. Bulmer, milking-machine teat-cup.
No. 24254.—C. Dahl, vacuum milking-machine.
No. 24258.—E. C. Austin, spirit-level.
No. 24282.—P. Pickering, flooring-cramp.
No. 24377.—G. A. Pearson, hose-coupling.
No. 24399.—D. Robertson, post-marking machine.
No. 24694.—M. J. McGrath, coal-loading appliance.

NOTE.—Owing to an error in the number appearing on the specification, "No. 24143, J. Marks, turbine," was wrongly advertised in the *Gazette* instead of "No. 24657, J. Marks, turbine."

Notice of Acceptance of Complete Specifications.

Patent Office,
Wellington, 13th January, 1909.

COMPLETE specifications relating to the undermentioned applications for Letters Patent have been accepted, and are open to public inspection at this office. Any person may, at any time within two months from the date of this *Gazette*, give me notice in writing of opposition to the grant of any such patent. Such notice must set forth the particular grounds of objection, and be in duplicate. A fee of 10s. is payable thereon.

No. 23877.—3rd January, 1908.—JAMES AGUSTUS BOYD, of No. 6 Richmond Street, Petone, New Zealand, Painter. Improvements in appliances in and for parlour skittles and suchlike games.*

Claim.—Improvements in spring guns used in games, consisting of a retaining-spring for the purpose of keeping a ball in its place, substantially as and for the purpose described.

(Specification, 1s.; drawing, 1s.)

No. 23878.—3rd January, 1908.—JAMES AGUSTUS BOYD, of No. 6 Richmond Street, Petone, New Zealand, Painter. Improvements in combination step-ladders and suchlike ladders.*

Claims.—(1.) A back strut, being slightly curved, and having rungs, and pivoted to the ladder proper, and adapted to turn upon its pivots and rest against the front of the top step, which is thrown back on its hinges; and a button for securing the strut in its elevated position, substantially as and for the purposes set forth. (2.) The employment, in combination with a ladder as described in claim 1, of a button for securing the strut in its elevated position, substantially as set forth. (3.) The employment, in combination with a ladder as described in claim 1, of a thole secured to the ladder by a cord and secured to the strut, substantially as set forth. (4.) The employment, in combination with a ladder as described in claim 1, of a top step being divided with hinges, and a hook and eyelet for securing the same, as and for the purposes set forth. (5.) The combination and arrangements of parts comprising the improvements in step-ladders, substantially as and for the purposes set forth, and illustrated in the drawing.

(Specification, 1s.; drawing, 1s.)

No. 23908.—13th January, 1908.—WILLIAM ERNEST HUGHES, of Queen's Chambers, Wellington, New Zealand, Registered Patent Agent (nominee of Charles Joseph Cooze, of Feilding, New Zealand, Coachbuilder). An improved spouting-bracket.

Claims.—(1.) The improved spouting-bracket comprising, in combination, a spouting-supporting member, a loop hinged to the outer end of such member, and a hook hinged to the loop and adapted to encircle the curved outer edge of the spouting, substantially as specified. (2.) The improved spouting-bracket, substantially as described and explained, and as illustrated in the drawings.

(Specification, 2s. 6d.; drawing, 1s.)

No. 23919.—14th January, 1908.—WILLIAM JOSEPH ROEBUCK, of 24 Signal Hill Road, Opho, Dunedin, New Zealand, Engineer. A new or improved adjustable foot for ladders.*

Claims.—(1.) The general arrangement and combination of parts comprising my improvements in and relating to an adjustable foot for ladders, substantially as and for the purpose set forth. (2.) An adjustable device consisting of a bolt, a ball on the lower end thereof, a locking-stud on the said bolt, a supporting-socket for the bolt, a series of notches in the said socket, a base plate and a socket thereon for a ball to enter, substantially as and for the purpose set forth.

(Specification, 3s.; drawing, 1s.)

No. 23971.—5th February, 1908.—BERNHARD BARUSCHKE and G. MAX JENCKEL, of No. 7 Passage Scholvien, Hamburg, Germany, Engineers. Improvements in a process and an apparatus to exterminate animals living underground and noxious insects in houses or on ships.

Claims.—(1.) A process to exterminate animals living underground and noxious insects in houses or on ships, consisting of a mixture of carbonic disulphide and benzine or the like introduced into the lodging of the animals, in combination with means to cause the mixture to explode after it has been introduced into said lodging, substantially as set forth. (2.) In an apparatus to exterminate animals living underground and noxious insects in houses or on ships, the combination of a reservoir filled with a mixture of carbonic disulphide and benzine or the like, a pump located inside said reservoir, a short pipe *e* branching from the foot of the pump-cylinder, a suction and a pressure valve located in said short pipe, a basket-formed sieve below the suction valve, an ascending pipe *k*, a hose *l* airtight connected with said pipe, means to introduce the end of said hose into the lodging of the animals, and a spray-distributor at the free end of said hose, substantially as set forth. (3.) In an apparatus to exterminate animals living underground and noxious insects in houses or on ships, the combination of a spray-distributor consisting of a pipe *m* connected to a hose, a second pipe *o*, a sieve-like bottom of said second pipe, and an upwards-bent and perforated sheet of metal fastened to said second pipe, substantially as set forth. (4.) In an apparatus to exterminate animals living underground and noxious insects in houses or on ships, the combination of noxious damps, means to introduce the same into the lodging of the animals, and means to cause the same to explode in said lodging, substantially as set forth. (5.) The improved process and device for exterminating animals and insects, substantially as described.

(Specification, 3s. 6d.; drawing, 1s.)

No. 23988.—10th February, 1908.—CHARLES FRANCIS PULLEY, of Wellington, New Zealand, Contractor. A machine for use in planing wharf-decking or other analogous structures.*

Claims.—(1.) A machine for the purpose indicated, comprising, in combination, a travelling frame, a rotating planer mounted upon the frame and adjustable in its height in relation thereto, an electric motor upon the frame, and driving-connections between the motor and the planer, substantially as specified. (2.) The machine for use in planing wharf-decking or other analogous structures, substantially as described and explained, and as illustrated in the drawings.

(Specification, 2s.; drawing, 1s.)

No. 24011.—15th February, 1908.—WILLIAM MILLER ORR, of Imperial Buildings, corner of High and Dowling Streets, Dunedin, New Zealand, Engineer. An improved ladder roller for dredges.*

Claims.—(1.) A ladder roller forming its own journal-box, a spindle forming a journal for the said roller, flats formed on the ends of the said spindle, a bracket in two parts adapted to engage and be clamped to the ends of the spindle, substantially as and for the purpose set forth. (2.) The general construction and arrangement of parts comprising my improved ladder-roller for dredges, all substantially as and for the purpose set forth, and as described and illustrated in the drawing.

(Specification, 2s.; drawing, 1s.)

No. 24103.—6th March, 1908.—CYRIL A. SOANS and ALBERT H. GRAVES, of No. 1703 Melrose Street and 1240 Monadnock Block respectively, Chicago, Illinois, United States of America, Electrical Engineer and Attorney at Law respectively. Party-line telephones.

Extract from Specification.—This invention relates to improvements in party-line lockout telephone systems. Among the salient objects of the invention are to so organize and construct the substation apparatus and circuits that the main or selecting relay of each substation may be located at the juncture of the drop wires with the main-line wires, and the telephone set proper arranged at the ends of the drop wires or at any desired distance from said relay, thereby avoiding the necessity of "looping in" more than a single pair of drop wires; to provide a system in which one of the line wires is normally in sections, which in selecting are built up or united from station to station, and in which such building-up of the line depends only upon the proper operation of a single relay at each substation; to provide as supplemental to each main or building-up relay an emergency relay whose function is to act as a substitute for the main relay in case the latter becomes inoperative; to provide a party-line which, while normally sectional as regards direct current, is nevertheless continuous as regards high-frequency alternating current, such as inductive disturbances and talking-current; to provide improved means for placing a plurality of subscribers upon the same line in talking-connection with each other; to provide improved means controlling the restoration of the substation apparatus to normal, thereby enabling the exchange operator to answer calls progressively over the entire length of the line as distinguished from commencing at the initial end after disposing of each talking-connection; to provide a system so organized that the simple act by a subscriber of removing the receiver from the switch-hook both sends in a call for connection and "sets" the station for automatic selection by the exchange operator, but nevertheless, in case the subscriber abandons the call and returns the receiver to the switch-hook, the "set" condition of his station is eliminated; to provide, in a system organized in general as last mentioned, means whereby upon the automatic location and selection of a calling substation its bell will be rung without further move on the part of the exchange operator; to provide improved means for automatically arresting the building-up of the sectional line, and thereby locating a calling-station; to provide a polarized relay or magnet of improved construction possessing maximum strength or efficiency with a given amplitude of current; to provide a polarized relay having associated switch-contacts so constructed that said contacts may be latched or locked in one position by sending current through the magnet of one polarity, and restored by sending current of opposite polarity through the magnet; to provide in a party-line system of the general character described a system of calling-in signals and a system of clearing-out or supervisory signals, both signal systems being to all practical intents independent of each other and non-interfering; and in general to provide simplified and improved mechanism, circuits, and co-operative arrangements in systems of the general character referred to.

[NOTE.—The above extract from the specification is inserted in place of the claims.]

(Specification, £1 10s.; drawing, 3s.)

No. 24141.—18th March, 1908.—JAMES HARRISON, of Dunedin, New Zealand, Company-manager, and GIBSON PIERCE MARTIN, of Dunedin aforesaid, Saddler. Improvements in the attachments of animal-covers.*

Claim.—An improvement in the attachment of animal-covers, consisting of a single strap, rope, or band with a spring hook at one end passing through four loops or keepers on the

inside of the cover and crossing under the belly, a buckle at the girth on the off side behind the shoulder, a D fastening at the girth on the near side behind the shoulder, and the said four loops or keepers one on each side at the flank and one on each side at the hip, substantially as set forth, and illustrated in the drawing.

(Specification, 1s. ; drawing, 1s.)

No. 24540.—19th June, 1908. —HENRY S. SPACKMAN ENGINEERING COMPANY, of 42 North 16th Street, Philadelphia, United States of America, a New Jersey Corporation (assignee of Henry Spencer Spackman, of 105 Ardmore Avenue, Ardmore, Pennsylvania, United States of America, Engineer, and Ellis Warren Lazell, of 3306 Arch Street, Philadelphia aforesaid, Engineer. Preparation of plastic compositions and accelerators therefor.

Claims.—(1.) The process of preparing plastic or cementitious material comprising lime or the like, characterized by the fact that separately prepared hydraulic calcium-aluminate rich in alumina or similar accelerating material is incorporated with the plastic or cementitious material to increase its strength and quickness of set. (2.) The process according to claim 1, characterized by the fact that plaster-of-paris or other controlling material is incorporated with the plastic and accelerating material. (3.) The process of preparing wall-plaster and similar compositions according to claim 1, characterized by the fact that a small proportion of the previously prepared accelerating material is incorporated with the lime or lime-bearing plaster material. (4.) The process of producing wall-plaster or similar compositions according to claims 1 and 3, characterized by the fact that the accelerating material is incorporated with finely divided slacked lime and calcium-sulphate or other controlling material. (5.) The process of preparing wall-plaster or similar compositions according to claims 1 and 3, characterized by the fact that puzzolanic material is incorporated with the other materials to increase the strength of the plastic composition. (6.) The process of preparing wall-plaster or similar compositions according to claims 1, 3, 4, and 5, characterized by the fact that approximately ten parts of calcium-aluminate accelerating material, formed by combining as by calcination lime or lime-bearing material and bauxite or other alumina-bearing material so that the calcium-aluminate contains approximately 40 per cent. of alumina, two parts of plaster-of-paris, and two parts of infusorial earth or silicious material, are substantially uniformly incorporated with eighty-six parts or so of slacked lime.

(Specification, 3s.)

No. 24897.—8th September, 1908.—WESTCOTE RAYMOND LITTLETON, of Rakaia, New Zealand, Farmer. An improved apparatus for turning the leaves of music and the like.*

Claims.—(1.) Apparatus of the class described, comprising superposed pivoted arms having integral discs with gaps, a projection upon the under side of each of said arms, a pivoted driver having a toe-piece adapted to pass through the gaps, slide around the discs, and engage the projections of each of the arms in succession, and means for operating the driver, substantially as set forth.

[NOTE.—Here follow seven other claims.]

(Specification, 8s. ; drawing, 2s.)

No. 24934.—17th September, 1908.—FRANK SHUMAN, of 3400 Disston Street, Tacony, Philadelphia, Pennsylvania, United States of America, Mechanical Engineer. Improvements in utilising solar heat and in apparatus therefor.

Claims.—(1.) A process for the utilisation of the heat of solar rays, characterized by the following essential features: (a) The absorption of the heat in a heat-absorbing liquid of relatively high boiling-point, exposed during its motion to the solar rays in a thin, substantially horizontal stream under a glass roof or roofs; (b) the protection of such moving fluid from ready loss of heat by radiation by stopping the circulation of the air above the moving fluid, so that the temperature of the air above successively hotter portions of the liquid is maintained successively hotter; and (c) the conversion of the heat energy of such heated liquid into mechanical work by any suitable apparatus.

[NOTE.—Here follow five other claims.]

(Specification, 10s. 6d. ; drawing, 2s.)

No. 25091.—17th October, 1908.—CATHERINE THOMSON, CATHERINE E. THOMSON, CHRISTIEANN THOMSON, and MABEL THOMSON, all of Gap Road, Winton, New Zealand, Gentlewomen. Improvement in hair-pins.

Claims.—(1.) In hair-pins, the forming of the pin from end to end in a number of large circular recesses close together, the points being taken from the inmost parts of one such recess, substantially as shown and as illustrated in the drawing.

[NOTE.—Here follow four other claims.]

(Specification, 2s. ; drawing, 1s.)

No. 25210.—12th November, 1908.—HENRY JAMES MARKS, of Margaret Street, Toowoomba, Queensland, Australia, Architect. Improvements in building-construction.

Claim.—In improvements in building-construction, the isolation of the main supports from direct contact with the walls, ceilings, or floors, but connected therewith by brackets, cross-ties, bands, or clips, as described and illustrated by drawings.

(Specification, 3s. 6d. ; drawing, 1s.)

No. 25229.—18th November, 1908.—JAMES THOMAS HUNTER, of Queen's Chambers, Wellington, New Zealand, Patent Agent (nominee of Linotype and Machinery, Limited, of 188 and 189 Fleet Street, London, England—the assignees of Herbert Pearce and John Ernest Billington, both of Linotype and Machinery Works, Broadheath, Chester, England, Engineers). Improvements in typographical composing-machines.

Claims.—(1.) In a typographical composing-machine of the type stated, the combination with two adjacent magazines of hook-and-lug devices for holding them engaged, and manual means for disengaging the upper one from the one beneath it. (2.) In a typographical composing-machine of the type stated, the combination of magazine-frame capable of being tilted on the main frame of the machine, front-to-rear groove or grooves and transverse grooves in the magazine-frame, bottom magazine having corresponding bars and off-sets to engage in the said grooves respectively, brackets upstanding from the magazine-frame by the sides of all the upper magazines, and set-screws working transversely in the sides of the latter and bearing against the internal faces of the respective brackets. (3.) In a typographical composing-machine of the type stated, the combination with the top plate of each magazine of a strip along its rear and both its side edges; shortened transverse bars and a transverse bar on the bottom plate of each upper magazine, the last-mentioned bar holding a lug projecting beyond each side of each said magazine; and an interval having an incline as 84 in each side strip. (4.) In a typographical composing-machine of the type stated, and having its distributing-mechanism fixed and magazines retractable to disengage them from their escapement-mechanisms, of pivoted magazine-entrances, and means actuated by the magazine-retracting means for opening and shutting the respective magazine-entrance. (5.) The combination with two retractable magazines having suitably pivoted magazine-entrances and means for retracting both, of a quadrant turning with the retracting-means, a plate slidably pivoted and loosely connected to one magazine-entrance, a flexible connection between the said quadrant and plate, a link pivoted to the said quadrant, and a stud-and-slot connection between the link and the other magazine-entrance. (6.) The combination with two retractable magazines of a magazine-entrance consisting of a bar and a series of webs suitably pivoted in respect of each magazine, and a pivoted intermediate plate to co-operate with both said entrances. (7.) A typographical composing-machine of the type stated, characterized by means for quick-changing the magazines, one by one, over the front of the machine. (8.) The combination of magazine-frame, a plurality of magazines supported thereon, and a pair of hooked arms sliding in or on the said frame to establish a track for magazines being quick-changed. (9.) The combination with the subject-matter of claim 8, of lugs on a magazine to engage and pull the arms in one direction, and of grips on a magazine to engage and push the arms in the opposite direction. (10.) The track-establishing means of claim 8, consisting of arms as 85, hooks as 75, grooves as 87, guides as 86, studs as 89, and stops as 90.

(Specification, 14s. 6d. ; drawing, 8s.)

No. 25230.—18th November, 1908.—**AUTO-HYDRAULIC LIMITED**, of 108A Cannon Street, London E.C., England (assignees of Albert Edward Hodder, of 85 Algernon Road, London S.E., England, Engineer). Improvements in or relating to liquid-containers and valve mechanism therefor, particularly applicable for use in water and like elevators.

Extract from Specification.—An important feature of this invention is the combination with two or more liquid-containers of means for automatically and successively connecting them to a source of fluid-pressure for emptying them, and of means for subsequently reducing the pressure so that liquid can be forced into the containers.

[NOTE.—The above extract from the specification is inserted in place of the claims.]

(Specification, 7s. ; drawing, 1s.)

No. 25231.—18th November, 1908.—**JOHN BLUM**, of 7 Rue St. Boniface, Brussels, Belgium, Doctor of Chemistry, and **ALFRED WILLIAM CARPENTER**, of 28 Bedford Street, London, England, Banker. Improvements in and relating to the manufacture of artificial Para rubber.

Claims.—(1.) A process for the manufacture of synthetic Para rubber, characterized by the fact that substances of the nature of isoprene, produced from peat or similar matter by fermentation, are treated with nitrogenous iron derivatives and mineral salts, substantially as described.

[NOTE.—Here follow three other claims.]

(Specification, 3s.)

No. 25232.—18th November, 1908.—**ARMAND DEPERDUSSIN**, of 26 Avenue de Villiers, Paris, France, Gentleman. Improvements in and relating to optical toys.

Claims.—(1.) A toy optical lantern for illustrated post-cards and the like, in which the images (illustrated post-cards), appearing opposite an objective in the wall of a box, are projected on a white screen, this lantern being characterized in that the post-card-holding device is arranged so as to be able to oscillate round one of its axes to the effect of allowing of the images being projected in uninterrupted succession, the image situated on one side of the plate being replaced by another one whilst the image on the opposite side is being exhibited.

[NOTE.—Here follow four other claims.]

(Specification, 3s. ; drawing, 1s.)

No. 25234.—18th November, 1908.—**PERCEVAL MANFIELD NEWTON**, of 437 Collins Street, Melbourne, Victoria, Australia, Patent Attorney (nominee of John Clifford English, of Second and Penn Streets, Camden, New Jersey, United States of America, Manufacturer). Improvements in amplifying-horns for talking-machines.

Claims.—(1.) A tapering amplifying-horn for talking-machines, of flattened rectangular cross-section, the broad sides being of considerably greater width than the narrow sides, substantially as and for the purpose set forth.

[NOTE.—Here follow four other claims.]

(Specification, 6s. ; drawing, 2s.)

No. 25245.—17th November, 1908.—**ARCHIBALD SHARP**, of 231 Strand, London W.C., England, Consulting Engineer. Improvements in air-springs.

Claims.—(1.) In an air-spring comprising a cylinder and plunger with rolling packing mitten jointed thereto, the combination of a retaining-ring and a plunger in two parts screwed together, thereby squeezing the smaller thickened edge of the mitten between the said retaining-ring and outer part of the plunger; a similar combination of a cylinder, cap, and screw-ring for squeezing the larger thickened edge of the mitten; and means for jointing the ends of the cylinder and plunger respectively to the parts separated or supported by the air-spring.

[NOTE.—Here follow four other claims.]

(Specification, 5s. 6d. ; drawing, 2s.)

No. 25246.—17th November, 1908.—**JOHN WILSON**, of Warburton Road, Seville, Victoria, Australia, Blacksmith. Improvements in lever winches.

Extract from Specification.—It consists essentially of a winding-drum mounted on a transport carriage frame, and adapted to be almost continuously rotated in one direction through the medium of a single or twin ratchet-disc or serrated wheel operated by a pair of dogs or pallets connected with a rocking-beam or pivoted lever-head capable of being reciprocated by a single- or doubled-handled lever, said drum and frame being provided with the necessary drawing and anchor cables.

[NOTE.—The above extract from the specification is inserted in place of the claims.]

(Specification, 4s. 6d. ; drawing, 2s.)

No. 25247.—17th November, 1908.—**ADOLPH GOETZ**, Master Brewer, of 175 East Bridge Street, and **PALMER ALLEN JONES**, Mechanical Engineer, of 78 Clancy Street, both of Grand Rapids, Kent, Michigan, United States of America. Improvements in processes of pasteurisation.

Claims.—(1.) The method of pasteurising a fluid consisting in passing a current of the same between heated walls, and deflecting the interior portion of the current toward said walls at frequent intervals, to simultaneously and quickly heat all parts of the current. (2.) The method of pasteurising a fluid as set forth in claim 1, consisting in retarding the flow of the interior portion of the current, dividing the current at frequent intervals, and deflecting the divided portions toward said heated walls. (3.) The method of pasteurising fluid as set forth in claim 1, wherein the current is divided, deflected, and retarded by heat-conducting material interposed between and heated from said walls.

(Specification, 4s. 6d. ; drawing, 1s.)

No. 25248.—17th November, 1908.—**GRIFFIN S. ACKLEY**, of Buffalo, New York, United States of America, Manufacturer. Winding-mechanism for brake-chains.

Claims.—(1.) A winding-mechanism for brake-chains for cars in which the frame on which the winding-drum for the chain is journalled is composed of a base adapted to be secured in fixed position on the car, and a bearing-yoke for the drum-journal which can be rigidly secured in different positions on said base.

[NOTE.—Here follow five other claims.]

(Specification, 6s. 6d. ; drawing, 2s.)

No. 25250.—21st November, 1908.—**BENJAMIN LOCKING**, of Tennyson Street, Napier, New Zealand, Medical Practitioner. An improved apparatus for generating poisonous gas for destroying rats and other vermin, for disinfecting, and for extinguishing fires in enclosed spaces.

Claims.—(1.) Apparatus of the class described, comprising, in combination, a combustion-chamber surmounted by a cylinder, an annular chamber surrounding the cylinder, pipes connecting the combustion-chamber and the said annular chamber, a condenser connected to the annular chamber, a steam-jet for creating a draught from the annular chamber to the condenser, a pipe leading from the condenser, and a pipe leading to the condenser from the annular chamber, substantially as set forth.

[NOTE.—Here follow five other claims.]

(Specification, 5s. ; drawing, 1s.)

No. 25253.—23rd November, 1908.—**JAMES SMITH FERGUSON**, of 55 Church Street, and **JAMES DAVIDSON**, of 437 Gladstone Avenue, both of Ottawa, Canada. Improvements in containers.

Claims.—(1.) A container having stiff end members and a foldable flexible member forming the remaining sides, having a plurality of interlapping ends, and means for fastening said interlapping ends to one another and to the stiff end member.

[NOTE.—Here follow six other claims.]

(Specification, 5s. 6d. ; drawing, 1s.)

No. 25255.—23rd November, 1908.—RICHARD WILLIAM GALLAGHER, of 28 Hartmann Apartments, Los Angeles, California, United States of America, Electrician. State-ment-delivery apparatus for meters.

Claims.—(1.) In combination with measuring-mechanism, a support for a roll of paper, means for advancing the outer or front end of a roll of paper upon said support, and means for operating said advancing-means by said mechanism which permits the paper to be advanced independently of the movement of said mechanism, substantially as described.

[NOTE.—Here follow three other claims.]

(Specification, 9s. ; drawing, 2s.)

No. 25264.—25th November, 1908.—FRANK MUSGROVE, of the Criterion Theatre, Sydney, New South Wales, Australia, Gentleman (nominee of Walter Taylor, of 94 Bermondsey Wall, Bermondsey, London, England, Engineer). Improve-ments in apparatus for public amusement.

Extract from Specification.—In carrying out the invention I so mount a number of gangways, platforms, or the like that cranks, eccentrics, or the like communicate a rotary motion to them in any desired plane, which motion may be combined with a secondary motion derived from cams or the like.

[NOTE.—The above extract from the specification is inserted in place of the claims.]

(Specification, 4s. 6d. ; drawing, 2s.)

No. 25268.—21st November, 1908.—EDWARD HOPE KIRKBY, of 120 Bathurst Street, Sydney, New South Wales, Australia, Electrician. Improved apparatus for conveying an alarm from premises where sprinklers are installed to a distant station.

Claims.—(1.) In apparatus for conveying an alarm from a fire-sprinkler to a distant station, a cistern and float in combination with clockwork mechanism provided with a rotating disc, projecting pins upon the disc, and a contact-breaker adapted to receive the impact of the pins as the disc rotates, such contact-breaker being connected to suitable electrical signalling-appliances for notifying a distant station that a sprinkler is at work, as specified.

[NOTE.—Here follow four other claims.]

(Specification, 5s. 6d. ; drawing, 1s.)

No. 25269.—21st November, 1908.—CHARLES SUTTIE, of Waharoa, New Zealand, Flax-miller, and MONTAGUE HARRISON WYNARD, of Auckland, New Zealand, Solicitor. Improve-ments in apparatus for operating a mechanical flax-catcher.

Claims.—(1.) In apparatus for operating a mechanical flax-catcher, a scroll-gear comprising a continuous slot in the periphery of a drum which is revolved when the apparatus is put in gear (such slot at the required positions running straight round, then cutting across, then continuing straight round, then cutting back again across the periphery of the drum), and a lever carrying a pin which sits in and is moved by such slot as the scroll-gear is revolved, such lever operating the flax-catcher either directly or by leverage and communicated movement, substantially as and for the purposes described.

[NOTE.—Here follow three other claims.]

(Specification, 6s. ; drawing, 1s.)

No. 25270.—23rd November, 1908.—WILLIAM MACLEAN HOMAN, of Bethlehem, Orange River Colony, South Africa. Improvements in sun-dials.

Claims.—(1.) In a sun-dial, a time-scale, a gnomon, a pivot the axis of which is parallel to the axis of the earth, and means to adjustably secure the time-scale to said pivot.

[NOTE.—Here follow thirteen other claims.]

(Specification, 7s. 6d. ; drawing, 3s.)

No. 25271.—26th November, 1908.—HENRY AUGUST HUGO SALOMO, of 278 Little Lonsdale Street, Melbourne, Victoria, Australia, Engineer. An improved differential gear.

Claims.—(1.) A differential gearing consisting of a pair of conical friction or toothed wheels so disposed that one of

them remains by preference stationary whilst its companion, in accordance with the intended effect, is somewhat, or by one or more teeth respectively, larger than the former, and is caused to describe whilst rotating thereon oscillatory movements to procure a displacement in their relative position corresponding to their difference in size or in number of teeth, for either acquiring thereby an increase in power at the proportionate expense of time, or *vice versa* an increase in speed at the proportionate expense of power.

[NOTE.—Here follow three other claims.]

(Specification, 8s. 6d. ; drawing, 3s.)

No. 25274.—25th November, 1908.—PETER BOYD, of High Street, Dunedin, New Zealand, Inventor. Improved attachment for sowing single seeds.

Claims.—(1.) In attachments for sowing single seeds, in combination, a wheel having spoons capable of holding said seed, and a spring over each capable of being lifted to allow each seed to enter, and again lifted more to allow said seed to drop out, all substantially as described and as explained, and as illustrated in the drawing. (2.) In combination, for sowing single seeds, a disc or wheel having "V" nicks or pockets undercut for receiving and holding single seeds and elevating them for delivery to the sowing-hopper, all substantially as set forth. (3.) Wheels capable of receiving single seeds in receptacles provided for them, and elevating and delivering the said seeds singly into a sowing-hopper, all substantially as set forth.

(Specification, 2s. ; drawing, 1s.)

No. 25283.—12th May, 1908.—LEOPOLD ZECHNALL, of 131 and 132 Bunhill Row, London, England, Manufacturer. Improvements in inverted incandescent gas lamps.

[NOTE.—This is an application under section 106 of the Act, the date given being the official date of the application in Great Britain.]

Claims.—(1.) In inverted burners, the combination with an inverted Bunsen burner of a shade-carrier detachably secured thereto and a globe or bulb carrier detachably secured to the shade-carrier, said shade and bulb carriers being so spaced from the Bunsen tube as to provide between same and the Bunsen tube a space or flue for the passage of the products of combustion.

[NOTE.—Here follow five other claims.]

(Specification, 5s. ; drawing, 2s.)

No. 25284.—2nd December, 1908.—DE DION BOUTON (1907), LIMITED, of 10 Great Marlborough Street, London W., England (assignee of Albert de Dion and Georges Bouton, both Directors of De Dion Bouton et Cie., 20 Quai National, Puteaux, Seine, France). Improvements in or relating to fans for motor vehicles.

Claims.—(1.) A fan for cooling the radiators of motor vehicles provided or combined with air-diverting devices, which latter are so constructed and arranged as to divert from the engine and adjacent parts of the vehicle the air drawn from the radiator by the fan.

[NOTE.—Here follow five other claims.]

(Specification, 1s. 9d. ; drawing, 1s.)

No. 25285.—2nd December, 1908.—MORTIMER FREDERICK MIEVILLE, of "Summersdale," Chichester, Sussex, England, Engineer. Improvements in apparatus for the production of carburetted air.

Claims.—(1.) Apparatus for the production of carburetted air, consisting of a chamber longitudinally divided into upper and lower compartments by a horizontally disposed perforated partition, air-inlet passages arranged below said partition at opposite sides of the carburetter, and a series of vertically depending pipes situated at short intervals apart below the air-inlet passages, the lower ends of the pipes on one side being perforated and horizontally turned to lie along the bottom of the carburetter, whilst the lower ends of those on the opposite side are perforated and outwardly bent in a downwardly sloping direction, substantially as described, and for the purpose specified.

[NOTE.—Here follow four other claims.]

(Specification, 5s. ; drawing, 1s.)

No. 25286.—2nd December, 1908.—WILLIAM JAMES GREEN, of 36 Lower Marsh, London, England, Chemist. Improvements in branding-machines.

Claims.—(1.) In a branding-machine for marking boxes, casks, or the like, the combination with a vertically reciprocating spindle mounted in an adjustable bracket on a pillar standard, and normally held inoperative by means of a spring, of a branding-head flexibly mounted thereon adapted to receive a removable branding-plate, and means for heating said brand, substantially as described, and illustrated in the drawings.

[NOTE.—Here follow two other claims.]

(Specification, 4s.; drawing, 1s.)

No. 25289.—28th November, 1908.—HENRY EDWARD DILKE MERRY, of Cuddingwarra, Western Australia, Australia, Mine-manager. An improvement relating to the feed-screw of rock-drills.

Extract from Specification.—Providing means, in addition to the ordinary crank-handle at the rear, for feeding the drill at the chuck or front end, so that a single operator can control the whole of the machine from the position at the operating end thereof.

[NOTE.—The above extract from the specification is inserted in place of the claims.]

(Specification, 2s. 6d.; drawing, 1s.)

No. 25382.—21st December, 1908.—REGINALD SYDNEY NEWCOMB, of Auckland, New Zealand, Manufacturer. Improvements in closets or privies.

Claims.—(1.) In closets or privies, the combination with a receiving-chamber or passage arranged beneath the seat-opening and above the receptacle, of a pair of flaps adapted to extend across and seal such passage, a pair of transversely mounted spindles upon which the respective flaps are secured, a crank upon the end of each spindle, a connecting bar extending between and articulated to such cranks, and means whereby this bar may be moved up and down, substantially as and for the purposes specified.

[NOTE.—Here follow two other claims.]

(Specification, 3s.; drawing, 1s.)

No. 25370.—18th December, 1908.—ANDREW TAIT WALKER ALLAN, of Henderson, Miner, and ARTHUR RICHARD RANN, of Mount Eden, Auckland, both in New Zealand. An improved portable roller-mill for the treatment of tailings, gold-bearing sand, and the like.

Extract from Specification.—The invention comprises a fluming which leads from the material to be treated to the machine in such a way that the water will carry the material down the shoots forming the fluming, a grating or deviating screen is placed so as to intercept between one shoot and the other shoot to throw all rough stones off, fluted rollers working over V-shaped boxes or hoppers formed and working as stated below, a slanting floor hung below rollers and having at its bottom perforated distributors, silvered coppered plates, silvered copper ripples, shoot below to carry material on to concentrating-boxes and other parts placed and working as specified.

[NOTE.—The above extract from the specification is inserted in place of the claims.]

(Specification, 5s. 6d.; drawing, 2s.)

An asterisk (*) denotes the complete specification of an invention for which a provisional specification has been already lodged.

NOTE.—The cost of copying the specification and drawing has been inserted after the notice of each application. An order for a copy or copies should be accompanied by a post-office order or postal note for the cost of copying.

The date of acceptance of each application is given after the number.

Extracts from the drawings accompanying the foregoing complete specifications appear at the end of this *Gazette*.

J. C. LEWIS,
Registrar.

Provisional Specifications accepted.

Patent Office,
Wellington, 13th January, 1909.

APPLICATIONS for Letters Patent, with provisional specifications, have been accepted as under:—

- No. 24992.—W. E. Garey, electric-lamp holder.
No. 25012.—J. Stronach, washboard.
No. 25067.—R. R. Dunn and A. Whett, making bricks, &c.
No. 25156.—J. Shepherd and T. Palmer, steam-turbine.
No. 25217.—H. Butterworth, flooring-compound.
No. 25272.—C. F. Olson, blind-bracket.
No. 25288.—W. Beamish, flushing-cistern.
No. 25292.—W. Levinson, cigarette-holder.
No. 25294.—M. Blair, sen., and W. J. Blair, alarm for fire-damp, &c.
No. 25297.—F. W. Page, wire-strainer.
No. 25299.—J. Marshall-Thomas, cycle-stand.
No. 25302.—W. Talbot, starting horse-races.
No. 25315.—United Shoe Machinery Company, supporting work in boot-manufacture. (A. Bates.)
No. 25316.—United Shoe Machinery Company, boot-jack. (C. S. Wells.)
No. 25322.—G. E. Cross, generation of power by tides, &c.
No. 25323.—W. F. Lietz and D. O'Connor, preparing plastic material from flax-fibre.
No. 25325.—C. Lewes, spanner.
No. 25326.—D. Fraser, jig-saw.
No. 25327.—W. E. Swain, window.
No. 25328.—C. Murray, rope-grip.
No. 25330.—A. W. B. Corry and C. H. Alley, nail-punch.
No. 25339.—H. Reynolds, starting horse-races.
No. 25341.—H. Quertier, weighing-machine tallying-device.
No. 25347.—G. S. Dahlgren, centrifugal cream-separator.
No. 25351.—P. W. Fryer, straw-elevator.
No. 25353.—J. Pomeroy, glass-washing appliance.
No. 25354.—J. Quedsted, cheese-case manufacturers.
No. 25356.—G. T. and H. H. Stewart, variable pulley.
No. 25357.—G. E. Cross, branding-apparatus.
No. 25361.—R. N. Adams, tent-peg.
No. 25363.—D. P. Hendriksen, go-cart seat attachment.
No. 25364.—J. Forsyth and T. Lawrence, cooler.
No. 25367.—C. W. Allman - Marchant and W. Diack, umbrella.
No. 25377.—A. Cannell, show-stand.
No. 25379.—W. F. Dugins, boot-fastener.
No. 25383.—S. F. Haughey, inflating pneumatic tires in motion.
No. 25384.—F. H. Trevellian, paper ribbon for cash-register.
No. 25385.—H. F. Cameron, water-closet pan.
No. 25388.—F. O. Von Rome and G. Hutchinson, safe.
No. 25389.—H. T. Fletcher, rotary canvas buddle.
No. 25391.—A. Walker and M. W. Marriage, removing sand from castings.
No. 25392.—F. Stubbs, hot-water system.
No. 25393.—W. J. McDonald and J. Hopkirk, milk, &c., agitator.
No. 25394.—J. M. Madden, transmitting motive power.
No. 25395.—W. Seifert, flax-treatment.

[NOTE.—Provisional specifications cannot be inspected, or their contents made known by this office in any way, until the complete specifications in connection therewith have been accepted.]

Letters Patent sealed.

LIST of Letters Patent sealed from the 17th December, 1908, to the 7th January, 1909, inclusive:—

- No. 23079.—H. C. Mitchell, printing process.
No. 23391.—C. Suttie and M. H. Wynyard, flax-treating apparatus.
No. 23497.—J. C. Atkinson, hat-hook and umbrella-clip.
No. 23562.—J. H. McMahon, draining-table attachment to coppers, &c.
No. 23600.—A. McMaster, lifting-jack.
No. 23790.—F. J. Cox, carburetter.
No. 24590.—J. McLaren, metal-headed nail.
No. 24596.—W. J. and G. Storey, G. McGregor, and W. G. Higgs, smoke-preventer, &c.
No. 24667.—R. J. Smith, mortise lock.
No. 24880.—F. Cotterell, glass-beveller.
No. 24899.—O. L. Eugster, siphon-head.
No. 24900.—A. J. Arbuckle and A. Osborne, ore-separator.
No. 24923.—H. C. Mitchell, paper-treatment.

Letters Patent on which Fees have been paid.

[NOTE.—The dates are those of the payments.]

SECOND-TERM FEES.

- NO. 18906.—R. M. McLennan, calendar. 29th December, 1908.
 No. 18920.—C. B. Smith, Geneva gear numbering and recording machine. 29th December, 1908.
 No. 18932.—L. Rismuller, extracting fatty substances from meat. 6th January, 1909.
 No. 18933.—Aktiebolaget Separator, centrifugal separator. (E. A. Forsberg.) 23rd December, 1908.
 No. 18949.—J. Channon, horse-collar. (J. S. Hull and E. T. Morland.) 6th January, 1909.
 No. 18955.—J. Strathern, J. W. Bailey, T. B. Clay, and C. J. Parr, water-power winding-appliance. (W. Moorcraft.) 11th January, 1909.
 No. 18958.—Huff Electrostatic Separator Company, electrostatic separation. (C. H. Huff, G. W. Pickard, and P. H. Wynne.) 5th January, 1909.
 No. 18965.—D. Urquhart, G. Clements, M. Evans, and C. Sloper, removing wool from skins. 9th January, 1909.
 No. 18971.—J. Richmond, gold-saving appliance. 11th January, 1909.
 No. 18985.—W. Cowern, filtering water, &c. 21st December, 1908.
 No. 19021.—D. W. Adams, fireproof curtain. 6th January, 1909.
 No. 19027.—D. H. Burrell and E. J. Burrell, milking-machine. (L. Burrell.) 23rd December, 1908.
 No. 19464.—J. Holden and E. S. Tiddeman, spark-arrester. 23rd December, 1908.
 No. 20371.—D. Robertson, post-marking machine. 24th December, 1908.

THIRD-TERM FEES.

- No. 14160.—E. Phillips, explosive. (E. Steele.) 6th January, 1909.
 No. 14338.—Babcock and Wilcox, Limited, boiler-furnace. (J. Chambers and Son, Limited—C. A. Knight.) 16th December, 1908.
 No. 14356.—I. A. Timmis, bogie for rolling-stock. 18th December, 1908.
 No. 14403.—Chesterfield Tube Company, Limited, manufacture of steel. (B. F. McTear.) 5th January, 1909.

Subsequent Proprietors, &c., of Letters Patent registered.

[NOTE.—The name of the patentee is given in brackets; the date is that of registration.]

- NO. 18949.—James Channon, of Sydney, in the State of New South Wales, Commonwealth of Australia. Horse-collar. (J. S. Hull and E. T. Morland.) 24th December, 1908.
 No. 23022.—Thermos Limited, of 8 Long Lane, Aldersgate Street, in the City of London, England, Manufacturers. Double-walled vessel. (R. Burger.) 5th January, 1909.
 No. 23380.—William Ferguson, of Flinders Street, Melbourne, Victoria, Australia, Merchant. Calculating weight of butter-fat in cream or milk. (R. S. Sanderson.) 24th December, 1908.
 No. 23970.—Linotype and Machinery, Limited, of 188 and 189 Fleet Street, London, England. Linotype machine. (W. E. Hughes—Linotype and Machinery, Limited—J. G. Holbourns and H. A. Longhurst.) 21st December, 1908.
 No. 24014.—Linotype and Machinery, Limited, of 188 and 189 Fleet Street, London, England. Typographical composing and distributing machines. (J. T. Hunter—Linotype and Machinery, Limited—J. G. Holbourns and H. A. Longhurst.) 21st December, 1908.
 No. 24015.—Linotype and Machinery, Limited, of 188 and 189 Fleet Street, London, England. Justifying tabular matter in linotype machines. (J. T. Hunter—Linotype and Machinery, Limited—J. G. Holbourns and H. A. Longhurst.) 21st December, 1908.

Applications for Letters Patent abandoned.

- LIST of applications, with which provisional specifications only have been filed, abandoned (i.e., complete specifications not lodged) from the 22nd December, 1908, to the 11th January, 1909, inclusive:—
 No. 24036.—A. J. Edwards, trolley-head.
 No. 24037.—A. Lawton, milk, &c., cooler.
 No. 24039.—J. G. Hudson and J. W. Mardon, signalling-apparatus.
 No. 24043.—G. Hyde, dining-table.

- No. 24045.—A. E. Brown, governing outflow from dams.
 No. 24051.—J. G. Hudson, J. W. Mardon, and J. E. Watts, ferro-concrete construction.
 No. 24052.—C. G. McKellar, construction of Pelton wheel.
 No. 24057.—A. Parker, totalisator.
 No. 24058.—H. Quertier, umbrella.
 No. 24061.—A. G. Barnett, tie-adjuster.
 No. 24062.—J. Gaut, camera.
 No. 24063.—C. Davies, milking-machine vacuum-tank.
 No. 24065.—F. R. Hall, composite pile or pillar.
 No. 24068.—R. A. Wiggins, teat-cup.
 No. 24071.—A. K. W. Rissel and W. H. Hennah, temperature indicator and recorder.
 No. 24072.—A. Simpson, bicycle-driving gear.
 No. 24074.—B. L. Donne and P. H. Stacey, mixture for collecting and removing dust. (C. L. Russell.)
 No. 24075.—G. T. Girdler, explosive engine.
 No. 24077.—C. F. Snell, iron and polishing-machine.
 No. 24078.—C. Angus, contact means for electrical circuit.
 No. 24085.—I. A. Smith, bed back-rest for invalids.
 No. 24089.—R. Millis, gold-saving process.
 No. 24090.—W. Lizzani, washboard.
 No. 24093.—W. H. Hennah and A. K. W. Rissel, recording ship's deviation from course.
 No. 24099.—R. N. R. Lindsay, compass.
 No. 24106.—R. Millis, flax-catcher.
 No. 24107.—R. Dunne, mitre-cutter.
 No. 24109.—R. H. Knox, reel blade of harvester.
 No. 24110.—A. E. Maxwell, telephone call or number recording apparatus.
 No. 24112.—W. A. Campbell and J. H. Kerr, detecting moisture in bales.
 No. 24123.—W. T. Auckram, sewing-machine.

Applications for Letters Patent void.

- APPLICATIONS for Letters Patent, with which complete specifications have been lodged, void owing to non-acceptance of such complete specifications, from the 22nd December, 1908, to the 11th January, 1909, inclusive:—
 No. 23507.—American Cork and Seal Company, bottle-seal. (L. Bartlett.)
 No. 23515.—H. Corbett, manure. (F. J. Corbett.)
 No. 23516.—H. Corbett, food for stock. (F. J. Corbett.)
 No. 23537.—J. Owen, draught fitting for retailing liquids.
 No. 23547.—M. Marks, attaching belts to clothing.

Applications for Letters Patent lapsed.

- APPLICATIONS for Letters Patent lapsed, owing to Letters Patent not being sealed, from the 22nd December, 1908, to the 11th January, 1909, inclusive:—
 No. 23052.—F. H. Jackson and R. Pierce, windmill.
 No. 23056.—W. Fuller, cattle-food.
 No. 23071.—A. Lawton, scaffolding-bracket.
 No. 23072.—J. Long, delivering tickets from containers.
 No. 23073.—H. V. Johnson, internal-explosive engine.
 No. 23103.—J. A. Merrett, flax-dressing apparatus.
 No. 23104.—H. Reynolds, race-starting machine.
 No. 23128.—A. J. Park, tow-silver-producing machine.
 No. 23134.—C. H. Bincroft, cleaning chimneys, &c., by suction.

Letters Patent void.

- LIST of Letters Patent void through non-payment of renewal fees, and through expiry of term of fourteen years, from the 22nd December, 1908, to the 11th January, 1909, inclusive:—

THROUGH NON-PAYMENT OF SECOND-TERM FEES.

- No. 18469.—J. H. Smith, gate-post fall. (W. M. Alexander.)
 No. 18470.—H. Yager, boot, &c.
 No. 18474.—A. McLeod, camera-tripod.
 No. 18475.—H. W. Bartram and G. H. Hope, elevating hand-truck. (D. H. K. McGuinness.)
 No. 18478.—G. Koch, shaving-brush.
 No. 18483.—H. Dowling and E. D. J. Balfour, electric belt.
 No. 18485.—A. Bridge, cricket-stump.
 No. 18492.—J. H. Rowland, game.
 No. 18496.—J. Gray, mangold-seed sower.
 No. 18499.—T. C. Hement, ridging.
 No. 18500.—W. Hoskins, pulp-production from wood.

No. 18501.—The Bowman Continuous Automatic Brake Company, Limited, brake. (F. W. Gasmier.)
 No. 18504.—W. E. Hamilton, mining-machine.
 No. 18511.—W. P. Connolly, preventing accidents in lifts.
 No. 18516.—J. Hancock and E. G. Abell, butter-box. (S. J. Collins.)
 No. 18530.—J. Adams and C. A. Cross, pipe-wrench.
 No. 18541.—C. E. Bailey, spring-equaliser.
 No. 18547.—A. L. Hewton, sash raiser and lock.
 No. 18555.—A. Falkner, moulding-board formation.
 No. 18564.—A. McLean, tire-protector.
 No. 18567.—H. Read, rail bed-plate.
 No. 18576.—M. Ryan, gold-saving plush.
 No. 18577.—E. Grundy, stretcher.
 No. 18593.—W. C. Nixon, valve.
 No. 20167.—J. R. Hatmaker, milk, sugar, and casein production.

THROUGH NON-PAYMENT OF THIRD-TERM FEES.

No. 14044.—J. C. Hansen-Ellehammer, filling cigarette-tubes with tobacco.
 No. 14045.—W. Knight, tube and hose joint. (D. Hurst-Fletcher, Russell, and Co., Limited.)
 No. 14047.—G. A. Overstrom, concentrating-table.
 No. 14056.—C. H. Ward, sulphide, &c., ore treatment.
 No. 14057.—C. H. Ward, oxidized, &c., ore treatment.
 No. 14059.—F. Gold, nail for corrugated iron.
 No. 14060.—C. A. Hege, cross-tie-cutting machine.
 No. 14062.—Hall Signal Company, signal apparatus. (C. J. Coleman.)
 No. 14089.—Compressed Fodder Company, fodder-compressor. (G. S. Cameron and M. K. Westcott.)
 No. 14098.—British Westinghouse Electric and Manufacturing Company, Limited, electric braking-apparatus. (J. P. Campbell—F. C. Newell.)

THROUGH EXPIRY OF TERM.

No. 7361.—Massey-Harris Company, Limited, cultivating implement. (C. McLeod.)

Designs registered.

DESIGNS have been registered in the following names on the dates mentioned:—

No. 445.—William Pascoe Rodda, of 55 Raglan Street, East St. Kilda, in the State of Victoria, Commonwealth of Australia, Mining Engineer. Class 1. 23rd November, 1908.
 Nos. 446 and 447.—J. and T. Muir, of Leveson Street, North Melbourne, in the State of Victoria, Commonwealth of Australia, Ironfounders. Class 1. 23rd November, 1908.
 No. 448.—Thomas James Wilson, of Beachville, Nelson, in the Dominion of New Zealand. Class 1. 31st December, 1908.
 No. 449.—The Brett Printing and Publishing Company, Limited, of Auckland. Class 5. 5th January, 1909.

Applications for Trade Marks filed.

LIST of applications for registration of Trade Marks filed from the 1st to the 11th January, 1909, inclusive:—

No. 7769.—4th January.—Bowring and Co., New York, U.S.A. Class 1.
 No. 7770.—5th January.—P. Hayman and Co., Wellington, N.Z. Class 42.
 No. 7771.—6th January.—Hall, Bayliss, and Co., London, Eng. Class 50.
 No. 7772.—6th January.—Biesolt and Lock Meissener Nahmaschinenfabrik, Meissen, Ger. Class 6.
 No. 7773.—7th January.—Ce, lon-Tea Company, Wellington, N.Z. Class 42.
 No. 7774.—8th January.—Wairarapa Farmers' Co-operative Association, Limited, Wellington, N.Z. Class 42.
 No. 7775.—8th January.—Wairarapa Farmers' Co-operative Association, Limited, Wellington; N.Z. Class 47.

Applications for Registration of Trade Marks.

Patent Office,
 Wellington, 13th January, 1909.

APPLICATIONS for registration of the following Trade Marks have been received. Notice of opposition to the registration of any of these applications may be lodged at this office within two months of the date of this Gazette. Such notice must be in duplicate, and accompanied by a fee of £1.

No. of application: 7373.

Date: 8th June, 1908.

TRADE MARK.



The essential particular of this trade mark is the representation of the sun and the word "Sun"; and any right to the exclusive use of the added matter is disclaimed.

NAME.

GEORGE GRAHAM CRIPPS, of Newington, Dunedin, in the Dominion of New Zealand, Tea-expert.

No. of class: 42.

Description of goods: Substances used as food or as ingredients in food.

(By consent.)

No. of application: 7652.

Date: 4th November, 1908.

TRADE MARK.

The words

"WHITE AUSTRALIA."

The essential particular of the trade mark is the following—the words "White Australia"; but no claim is made to the exclusive use of the word "Australia."

NAME.

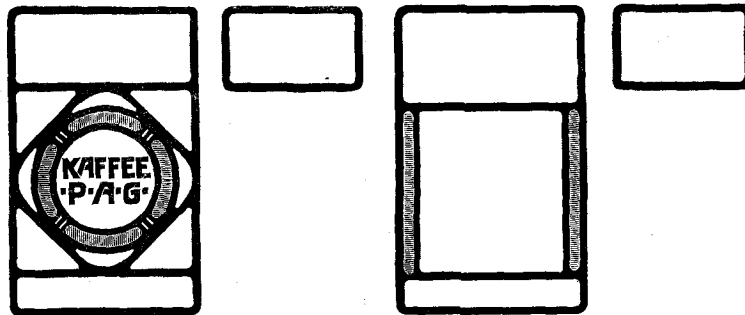
COMMONWEALTH OIL CORPORATION, LIMITED, of Equitable Buildings, George Street, Sydney, New South Wales, in the Commonwealth of Australia.

No. of class: 47.

Description of goods: Heating-oils, illuminating-oils, lubricating-oils, power-oils, petroleum spirits, paraffine wax, candles, and greases.

No. of application : 7700.
Date : 24th November, 1908.

TRADE MARK.



NAME.

THE KAFFEE-PATENT-AKTIENGESELLSCHAFT, of Holzhafen, Bremen, Germany, Manufacturers.

No. of class : 42.

Description of goods : Coffee, articles of food or stimulants prepared from coffee, coffee substitutes, cocoa, and tea.

No. of application : 7745.
Date : 19th December, 1908.

TRADE MARK.



The essential particulars of this trade mark are the combination of devices with a representation of a pheasant and the word "Pheasant"; and applicant disclaims any right to the exclusive use of the added matter, save and except his name and address.

NAME.

WILLIAM HENRY HAZARD, of Queen Street, Auckland, in the Dominion of New Zealand, Merchant.

No. of class : 12.

Description of goods : Cutlery and edge-tools, such as knives, forks, scissors, shears, files, saws, razors, and sportsmen's axes.

No. of application : 7749.
Date : 19th December, 1908.

TRADE MARK.

(The mark as shown in preceding notice, No. 7745.)

The essential particulars of this trade mark are the combination of devices with a representation of a pheasant and the word "Pheasant"; and applicant disclaims any right to the exclusive use of the added matter, save and except his name and address.

NAME.

WILLIAM HENRY HAZARD, of Queen Street, Auckland, in the Dominion of New Zealand, Merchant.

No. of class : 38.

Description of goods : Articles of clothing, such as hats of all kinds, caps and bonnets, hosiery, gloves, boots and shoes, other ready-made clothing, cartridge-vests, shooting-caps, shooting-coats, fishing-coats, fishing-stockings, fishing-trousers, and fishing-brogues.

No. of application : 7751.
Date : 19th December, 1908.

TRADE MARK.

The word

"KONSTIPATIO."

NAME.

CHARLES BEESTON MASSEY, of 60 Papanui Road, St. Albans, Christchurch, in the Dominion of New Zealand, Manufacturer.

No. of class : 3.

Description of goods : A remedy for constipation.

No. of application : 7752.
Date : 19th December, 1908.

TRADE MARK.

"RESTORALENE,"
FOR THE HAIR.

The essential particular of this trade mark is the word "Restoralene"; and any right to the exclusive use of the added matter is disclaimed.

NAME.

READING AND HOPPY, of 8 Chancery Lane, Christchurch, in the Dominion of New Zealand, Hair Specialists.

No. of class: 48.

Description of goods: A preparation for the hair.

TRADE MARK.

The word

"APEX."

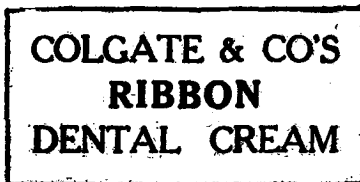
NAME.

FREDERICK CROSBY AND SON, of Albert Street, Auckland, in the Dominion of New Zealand.

No. of class: 50.

Description of goods: Brushes.

TRADE MARK.



The essential particulars of this trade mark are the distinctive label and the word "Ribbon"; and applicants disclaim any right to the exclusive use of the added matter, except their name.

NAME.

COLGATE AND Co., a New Jersey corporation, of 55 John Street, New York City, United States of America, Manufacturer of Soaps and Perfumery and other Toilet Articles.

No. of class: 48.

Description of goods: Dental cream.

No. of application: 7763.

Date: 29th December, 1908.

TRADE MARK.

The word

"SNOWFLAKE."

NAME.

TIMARU DAIRY COMPANY, of Stafford Street, Timaru, in the Dominion of New Zealand.

No. of class: 42.

Description of goods: Butter and all other dairy-produce.

No. of application: 7764.

Date: 29th December, 1908.

TRADE MARK.

The word

"CHAMPION."

NAME.

HARDLEY AND HARDLEY, LIMITED, of Auckland, in the Dominion of New Zealand, Manufacturers and Importers.

No. of class: 16.

Description of goods: Porcelain and earthenware goods, used for sanitary purposes of all kinds, including basins, pans, brackets, and other receptacle forms, flushing-cisterns.

TRADE MARK.



NAME.

A. J. WHITE (COLONIAL), LIMITED, of 35 Farringdon Road, London, England, Patent-medicine Manufacturers.

No. of class: 3.

Description of goods: Chemical substances prepared for use in medicine and pharmacy.

TRADE MARK.

No. of application: 7767.

Date: 30th December, 1908.

MOTHER SEIGEL

NAME.

A. J. WHITE (COLONIAL), LIMITED, of 35 Farringdon Road, London, England, Patent-medicine Manufacturers.

No. of class: 3.

Description of goods: Chemical substances prepared for use in medicine and pharmacy.

No. of application: 7770.

Date: 5th January, 1909.

TRADE MARK.

The word

"UDANA."

NAME.

P. HAYMAN AND Co., of Victoria Street, Wellington, in the Dominion of New Zealand, Merchants.

No. of class: 42.

Description of goods: Tea.

J. C. LEWIS,
Registrar.

Trade Marks registered.

LIST of Trade Marks registered from the 19th December, 1908, to the 11th January, 1909, inclusive:—

- No. 5978/7082.—G. M. Lee. Class 47. (*Gazette* No. 10, of the 6th February, 1908.)
 No. 5979/7456.—Gollin and Co. Proprietary, Limited. Class 38. (*Gazette* No. 79, of the 15th October, 1908.)
 No. 5980/7584.—Tonkin and Co. Class 42. (*Gazette* No. 79, of the 15th October, 1908.)
 No. 5981/7569.—Union Oil, Soap, and Candle Company, Limited. Class 47. (*Gazette* No. 75, of the 1st October, 1908.)
 No. 5982/7639.—J. P. Carmine. Class 50. (*Gazette* No. 85, of the 29th October, 1908.)
 No. 5983/7635.—J. B. MacEwan and Co., Limited. Class 39. (*Gazette* No. 85, of the 29th October, 1908.)
 No. 5984/7636.—J. B. MacEwan and Co., Limited. Class 24. (*Gazette* No. 85, of the 29th October, 1908.)
 No. 5985/7637.—J. B. MacEwan and Co., Limited. Class 42. (*Gazette* No. 85, of the 29th October, 1908.)
 No. 5986/7355.—Bryant and May, Limited. Class 47. (*Gazette* No. 85, of the 29th October, 1908.)
 No. 5987/7114.—J. Dewar and Sons, Limited. Class 43. (*Gazette* No. 85, of the 29th October, 1908.)
 No. 5988/7115.—J. Dewar and Sons, Limited. Class 43. (*Gazette* No. 85, of the 29th October, 1908.)
 No. 5989/7440.—Balsa Hermanos. Class 45. (*Gazette* No. 64, of the 20th August, 1908.)
 No. 5990/7459.—G. D. Mitchell. Class 8. (*Gazette* No. 61, of the 6th August, 1908.)
 No. 5991/7547.—J. Daghish. Class 3. (*Gazette* No. 75, of the 1st October, 1908.)

Subsequent Proprietors of Trade Marks registered.

[NOTE.—The name of the former proprietor is given in brackets; the date is that of registration.]

- N**OS. 80/812, 1928/1560, 1929/1561, 6959/5615, 6960/5616.
 —A. J. White (Colonial), Limited, of 35 Farringdon Road, London, England, Patent-medicine Manufacturers. (A. J. White, Limited.) 5th January, 1909.
 Nos. 66/54, 4666/3660.—Scott and Bowne (Australasia), Limited, whose registered office is situate at 10 and 11 Stonecutter Street, London, England. (Scott and Bowne, Limited.) 5th January, 1909.
 No. 82/4762 (two marks), and No. 511/540.—William Mitchell (Pens), Limited, of Washington Works, Cumberland Street, Birmingham, England, and 44 Cannon Street, London, E.C., England, Steel-pen and Penholder Manufacturers. (W. Mitchell.) 23rd December, 1908.
 No. 1350/1117.—Humber Limited, of Beeston, in the County of Nottingham, England. (Humber and Company, Limited.) 6th January, 1909.

Application for Trade Marks abandoned or refused.

LIST of applications for registration of Trade Marks abandoned or refused from the 1st to the 11th January, 1909, inclusive:—

- No. 6766.—2nd July, 1907.—Roberts, Johnson, and Rand Shoe Company, St. Louis, U.S.A. Class 38.
 No. 6963.—4th October, 1907.—J. H. Adams, of Auckland, N.Z. Class 6.
 No. 7059.—11th December, 1907.—S. L. Lazarus, trading as "A. M. Brodziak and Co.," of Suva, Fiji. Class 42.
 No. 7076.—20th December, 1907.—E. C. Woodward, Dunedin, N.Z. Class 3.
 No. 7079.—20th December, 1907.—H. E. Billson, Christchurch, N.Z. Class 50.

Trade Mark Renewal Fees paid.

FEEES paid for the renewal of the undermentioned Trade Marks for fourteen years from the date first mentioned:—

- No. 1350/1117.—5th January, 1909.—Humber Limited, of Beeston, England. 29th December, 1908.
 No. 1382/1073.—6th February, 1909.—John Burns and Co., of Auckland, New Zealand. 19th December, 1908.
 No. 1384/1277.—8th February, 1909.—The Woods Great Peppermint Cure Company, Limited, of Wellington, New Zealand. 5th January, 1909.
 No. 1406/1090.—4th March, 1909.—The British Empire Trading Company, Limited, of Wellington, New Zealand. 19th December, 1908.

Trade Marks removed from the Register.

TRAD E Marks removed from the Register owing to the non-payment of the renewal fee, from the 22nd December, 1908, to the 11th January, 1909, inclusive:—

- No. 1259/972.—24th September, 1894.—A. Briscoe and Co. Dunedin, New Zealand. Class 13.
 No. 1263/978.—24th September, 1894.—C. Remnant, Ngatimoti, New Zealand. Class 42.
 No. 1267/1188.—1st October, 1894.—Carson and Co., Ashburton, New Zealand. Class 42.
 No. 1268/1167.—2nd October, 1894.—M. Smith, Wellington, New Zealand. Class 3.
 No. 1270/1045.—8th October, 1894.—A. A. Clatworthy, Napier, New Zealand. Class 42.

By Authority: JOHN MACRAE, Government Printer, Wellington.

The first part of the report deals with the general situation of the country and the progress of the war. It is followed by a detailed account of the military operations in the West, including the Battle of Arras and the Battle of Cambrai. The report also discusses the situation in the East, particularly in the Balkans and the Middle East.

The second part of the report is devoted to the economic and social conditions of the country. It describes the impact of the war on the economy, including the shortage of food and clothing, and the rise of inflation. It also discusses the social conditions, including the treatment of prisoners of war and the situation of the civilian population.

The third part of the report is a summary of the main points of the report. It concludes that the war has had a profound impact on the country and that the situation is still very serious. It also expresses the hope that the war will soon come to an end and that peace will be restored.



ILLUSTRATIONS OF INVENTIONS.

[These illustrations refer to the complete specifications accepted, and advertised in this Gazette.]

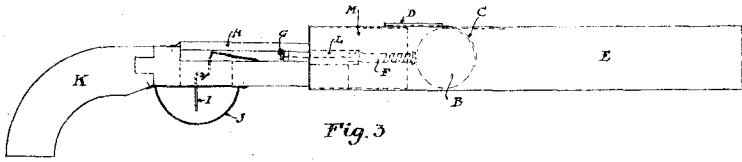


Fig. 3

23877

Boyd. Game.

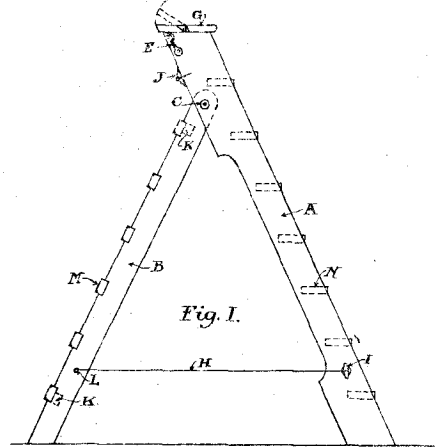
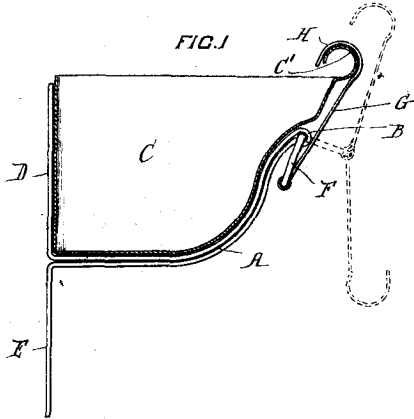


Fig. 1.

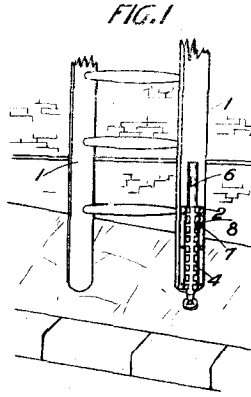
23878

Boyd. Step-ladder.



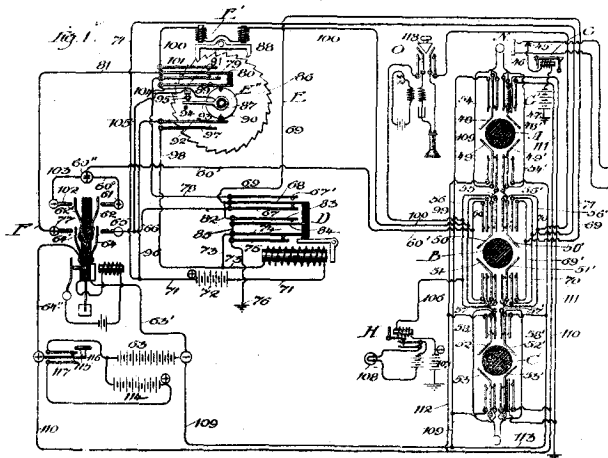
23908

Hughes. Spouting-bracket. (Cooze.)



23919

Roebuck. Ladder-foot.



24103

Soans and Graves. Telephone.

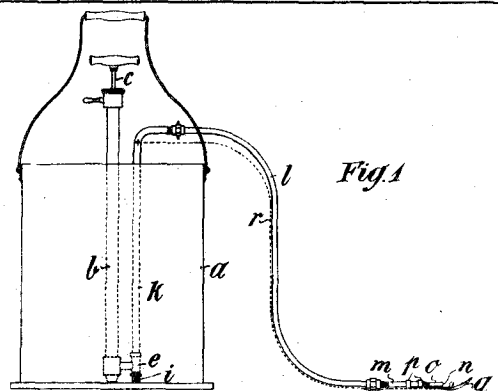


Fig. 1

23971

Baruschke and Jenckel. Insect-destroyer.

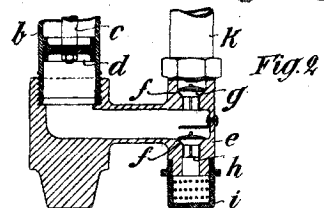


Fig. 2

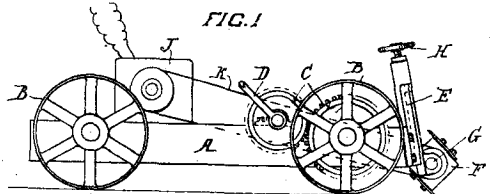


FIG. 1

23988

Pulley. Planing-machine.

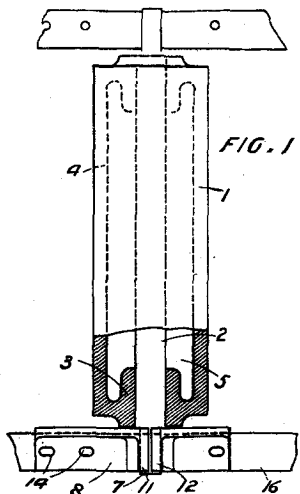
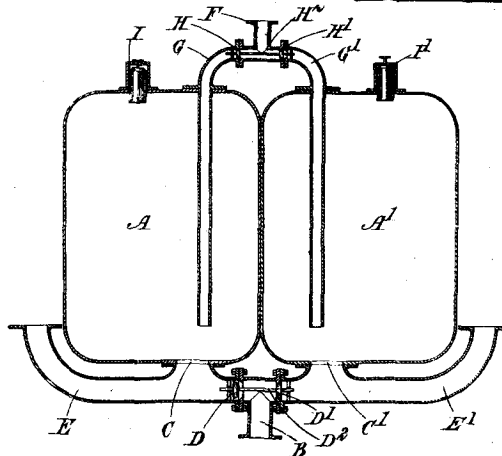


FIG. 1

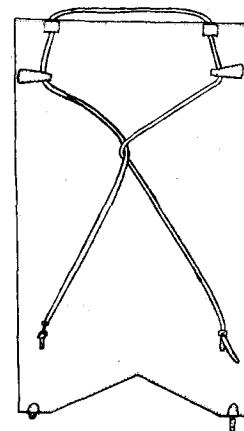
24071

Orr. Dredge-ladder Roller.



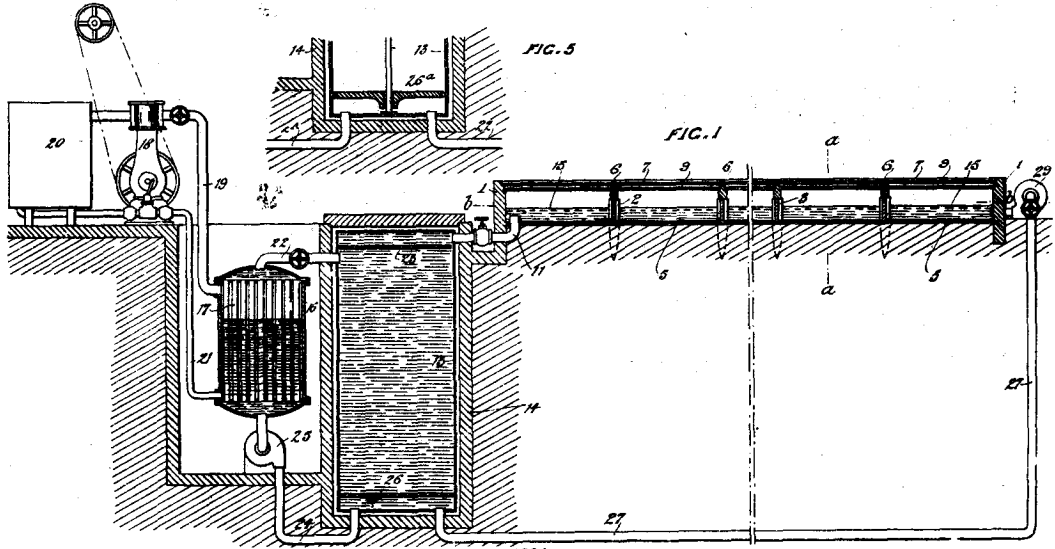
25230

Auto-Hydraulic (Limited). Liquid-container. (Hodder.)

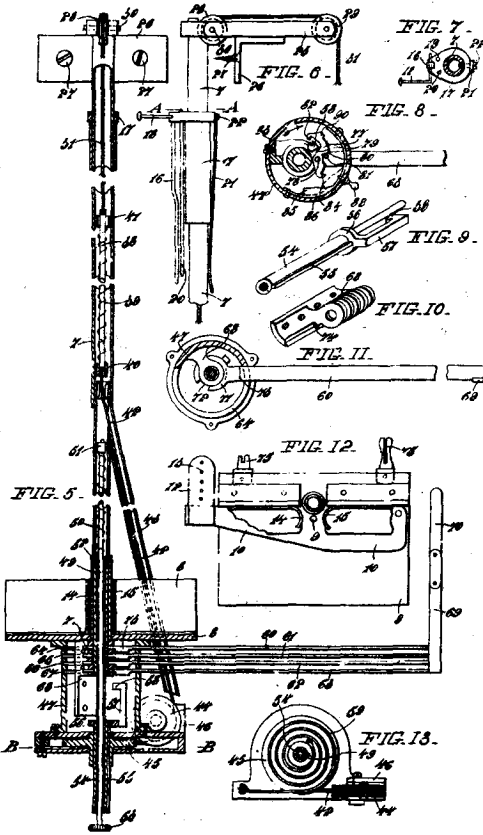


24141

Harrison and Martin. Animal-cover.



24934
Shuman. Utilising Solar Heat.



24897
Lyttleton. Music-leaf Turner.

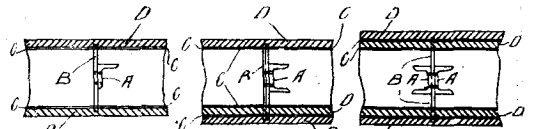
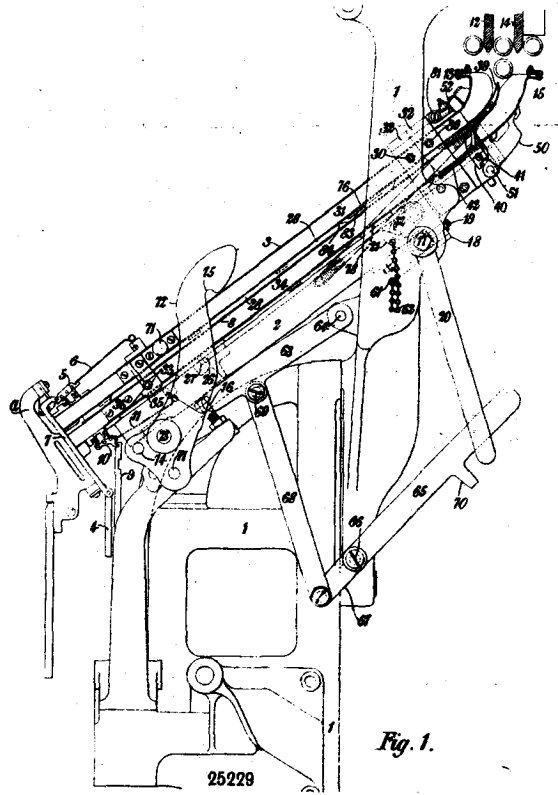
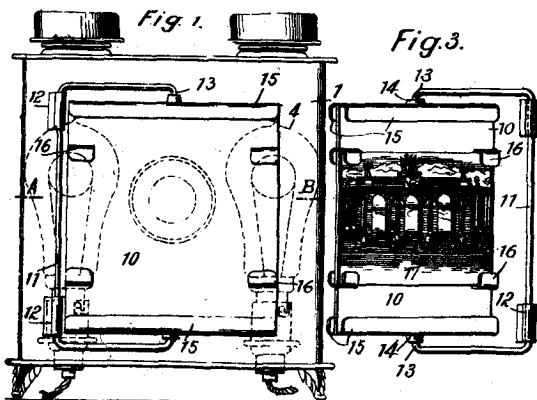


FIG. 1. FIG. 2. FIG. 3.

25210
Marks. Building Construction.



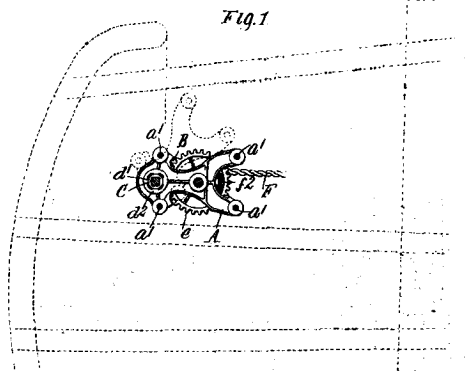
25229
Hunter. Typographical Composing-machine.
(Linotype and Machinery (Limited).—Pearce and Billington.)



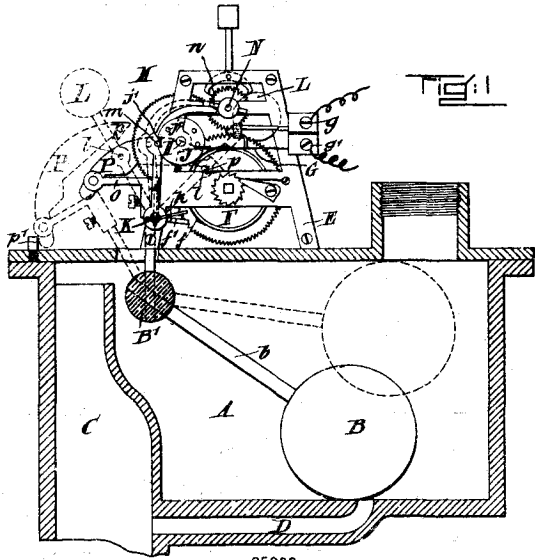
25232
Peperussin. Optical Toy.



25091
C., C., E., C., and M. Thomson. Hair-pin.



25248
Ackley. Brake-chain Winding-mechanism.



25268
Kirkby. Fire-alarm.

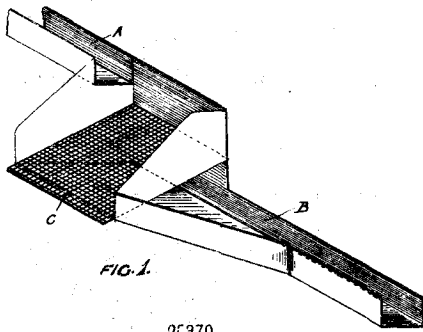


FIG. 1.
25370
Allan and Ramm. Roller Mill.

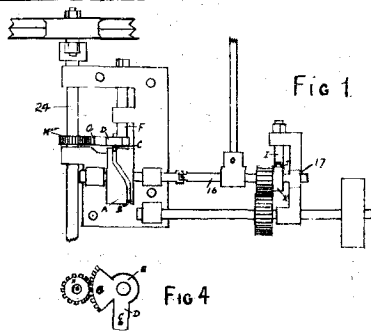
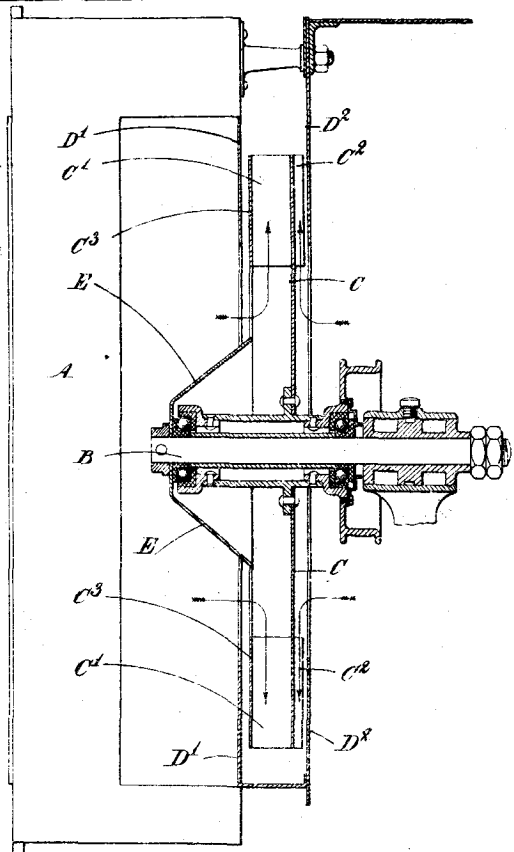


FIG. 1.
FIG. 2.
FIG. 3.
FIG. 4.
25269
Buttie and Wnyard. Flax-catcher.



25284.
De Lion Bouton (1907) (Ltd.). Fan for Motor. (De Lion & Bouton.)

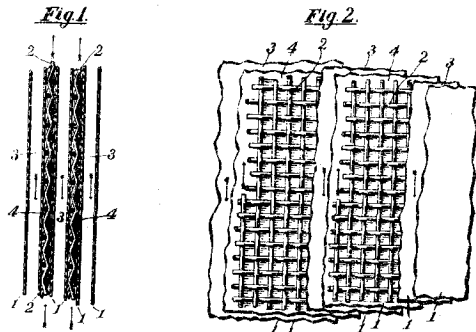


FIG. 1.
FIG. 2.
25247
Goetz and Jones. Process of Pasteurisation.

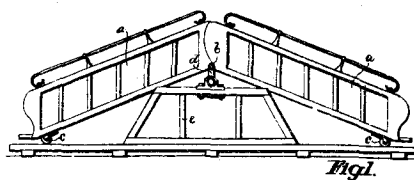
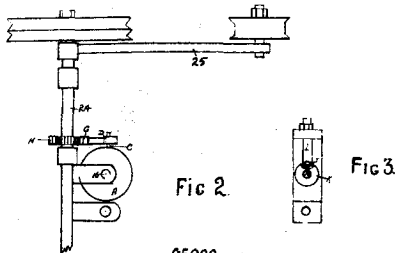
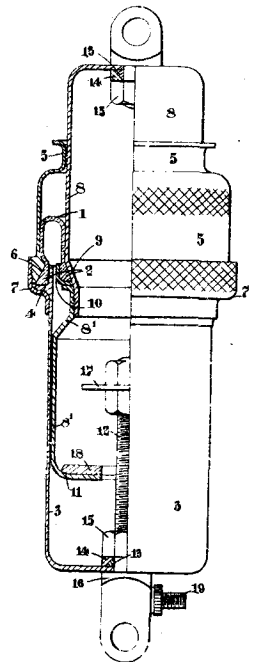
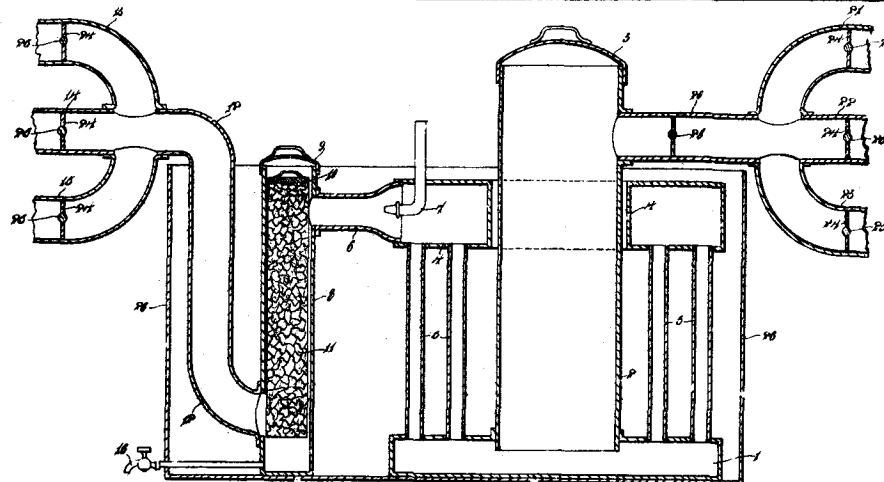


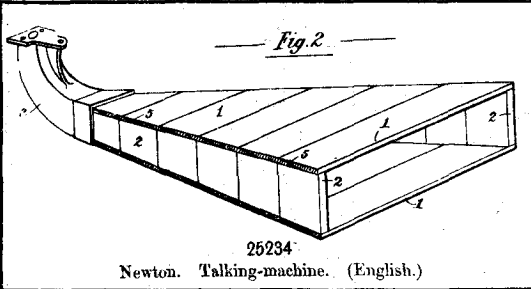
FIG. 1.
25264
Musgrave. Amusement Apparatus. (Taylor.)



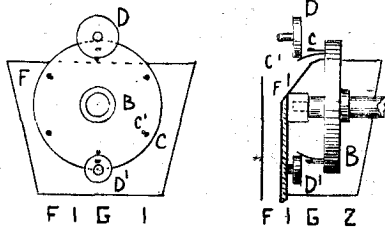
25245
Sharp. Air-spring.



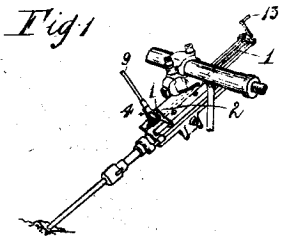
25250
Locking. Poison-gas Generator.



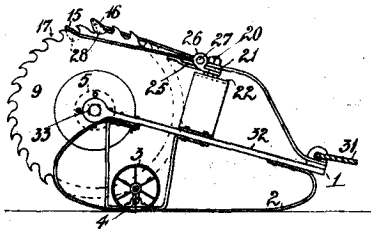
25234
Newton. Talking-machine. (English.)



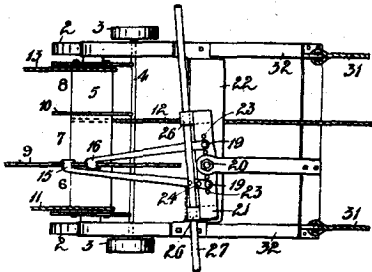
25274
Boyd. Seed-sower.



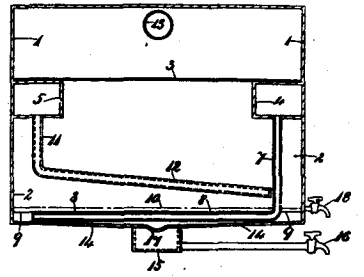
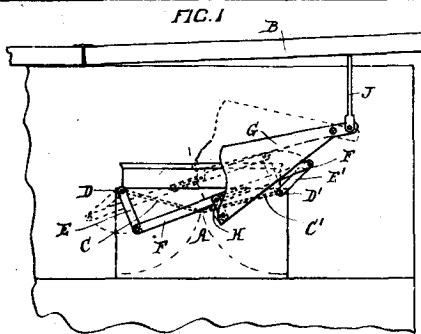
25289
Merry. Rock-drill.



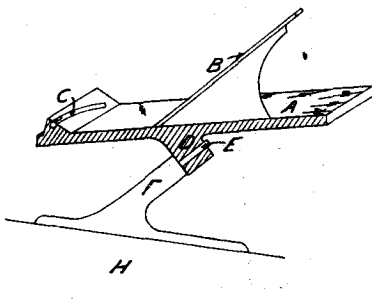
25246
Wilson. Lever-winch.



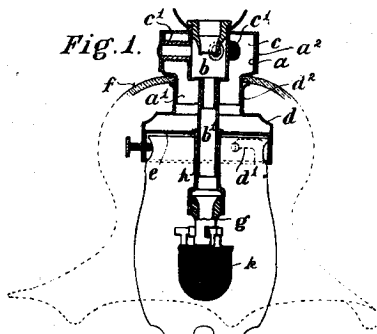
25362
Newcomb. Closet.



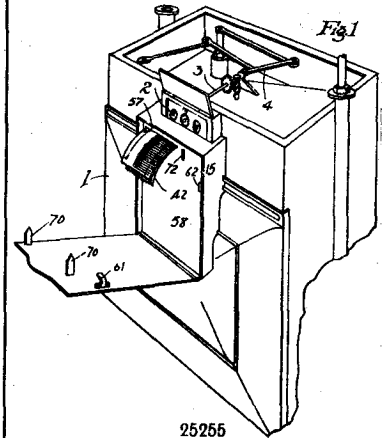
25285
Mieville. Air-carburetter.



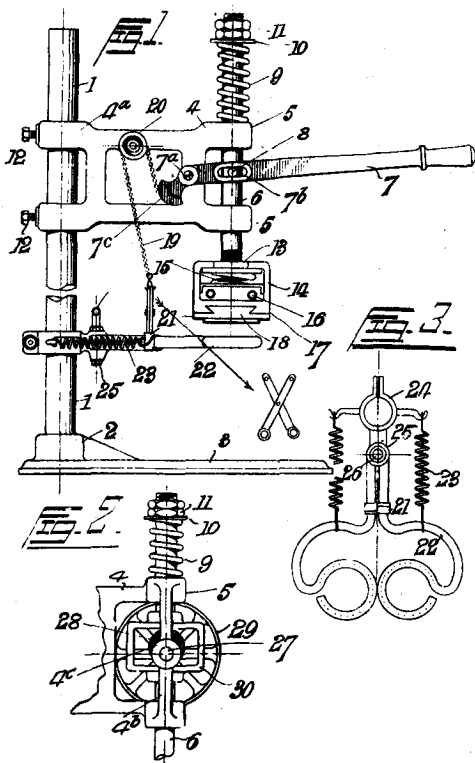
25270
Homan. Sundial.



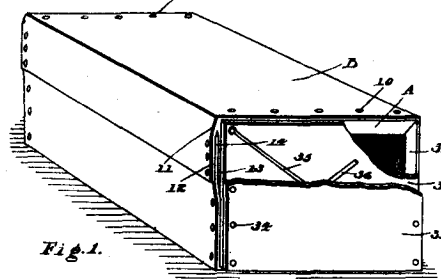
25283
Zechnall. Incandescent Lamp.



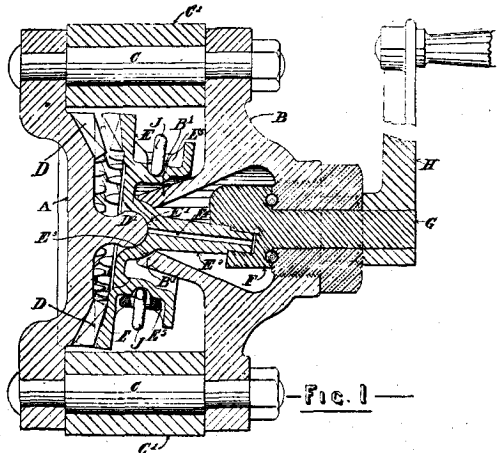
25255
Gallagher. Meter Statement Delivery Apparatus.



25286
Green. Branding-machine.



25253
Ferguson and Davidson. Container.



25271
Salomo. Differential Gear.